

# Air Safety Valve

Model BWS



Rc1/8 Thread Model newly added to the lineup. (Nov. 2020)

## Ultra-Compact and Light Air Pilot Check Valve

Suitable for cylinder position holding and workpiece fall prevention during robot transfer. PAT.P.

### Weight

M3 Thread Model

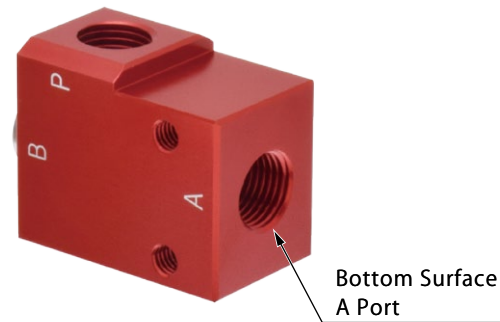
**9 grams**

M5 Thread Model

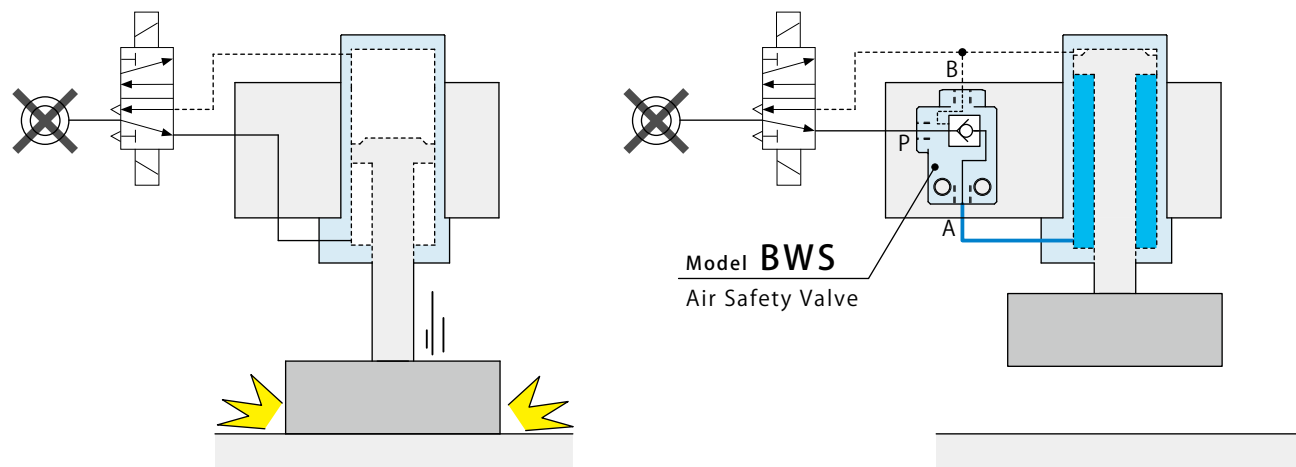
**14 grams**

**New**  
Rc1/8 Thread Model

**37 grams**



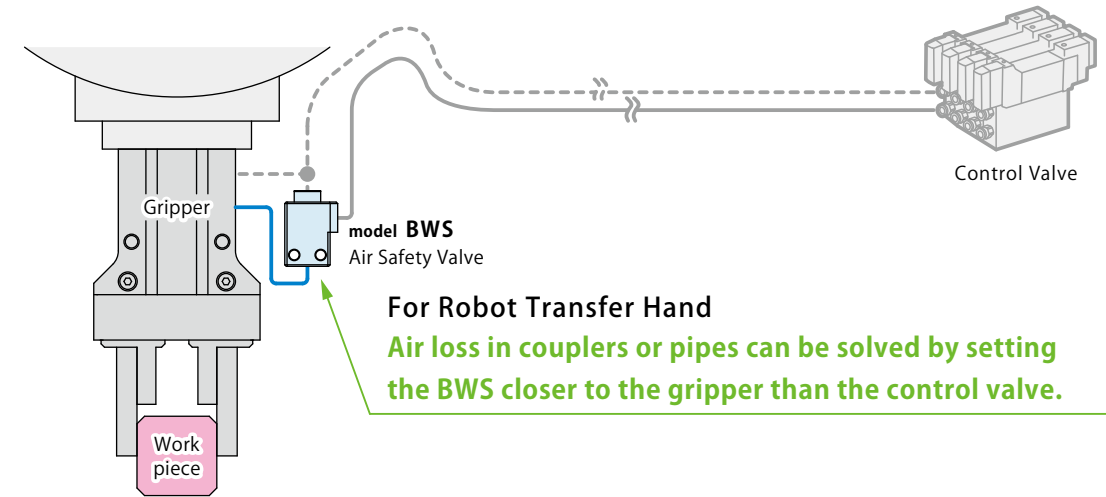
Even when air is stopped due to blackout, the Air Safety Valve maintains air pressure for long hours in a circuit. It is able to keep cylinder position and prevent workpiece fall. It is also highly reliable with built-in Soft Seal.



✗ The piston descends (falls) due to air source shut-off.

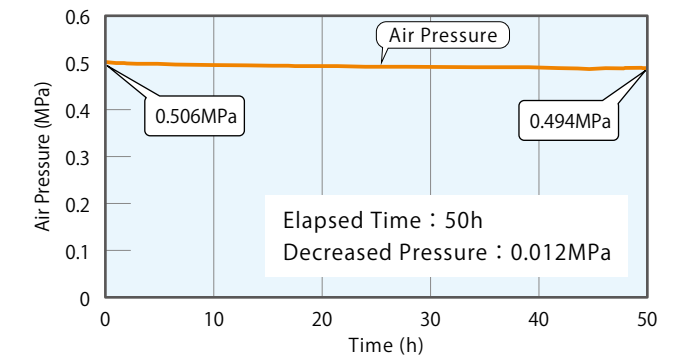
○ Keeps the posture and prevents falling by maintaining pressure.

### Application Example



### High Reliability with Soft Seal

Testing data of measuring elapsed time and pressure change when maintaining air pressure in A port. Sealing part is equipped with Soft Seal. It enables great pressure maintaining ability.  
※ Testing data of single product with stable surrounding temperature.



### Model No. Indication

**BWS 0 10 1**

#### 1 Body Size

- 03 : Port Thread Size M3
  - 05 : Port Thread Size M5
  - 10 : Port Thread Size Rc1/8※
- ※ The size of the pilot port is M5 thread.

#### 2 Design No. ※ Revision Number.

- 0 : In case of 1 03, 05 (When selecting the port thread size M3 and M5.)
- 1 : In case of 1 10 (When selecting the port thread size Rc1/8.)

### Specifications

Model No.	BWS0030	BWS0050	BWS0101
Thread Size of Each Port	M3 Thread	M5 Thread	Rc1/8 Thread (The pilot port is M5 thread)
Operating Pressure	MPa 0.2 ~ 0.7		
Withstanding Pressure	MPa 1.5		
Min. Passage Area ※1	mm <sup>2</sup> 2.2		9.1
Cracking Pressure	MPa 0.03		
Pilot Pressure	MPa Outgoing Side (A Port) : Maintaining Pressure × 0.5 or more		
Operating Temperature	°C 0 ~ 70		
Usable Fluid	Dry Air		
Weight	g 9	14	37

Note :

※1. It shows the minimum passage area in the product. Please consider passage area of joint and others when designing circuits.

- Locating + Clamp
- Locating
- Hand · Clamp
- Support
- Valve · Coupler
- Cautions · Others

#### Air Safety Valve

BWS

#### Air Sequence Valve

BWD

#### Auto Coupler

- JTA/JTB
- JTC/JTD
- JVA/JVB
- JVC/JVD
- JVE/JVF
- JNA/JNB
- JNC/JND
- JLP/JLS

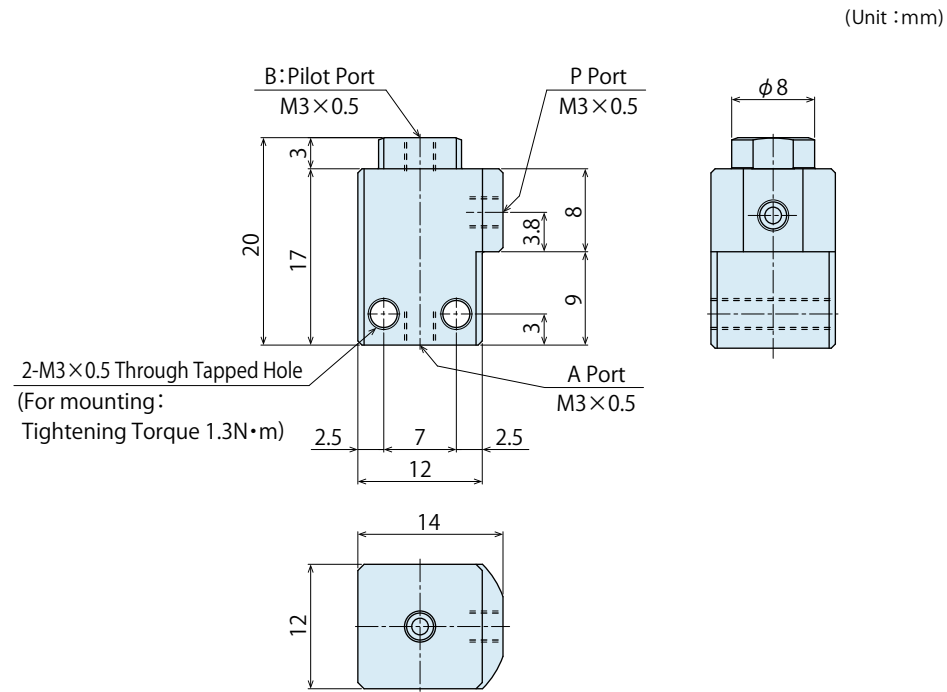
#### Leakless Coupler

JWC

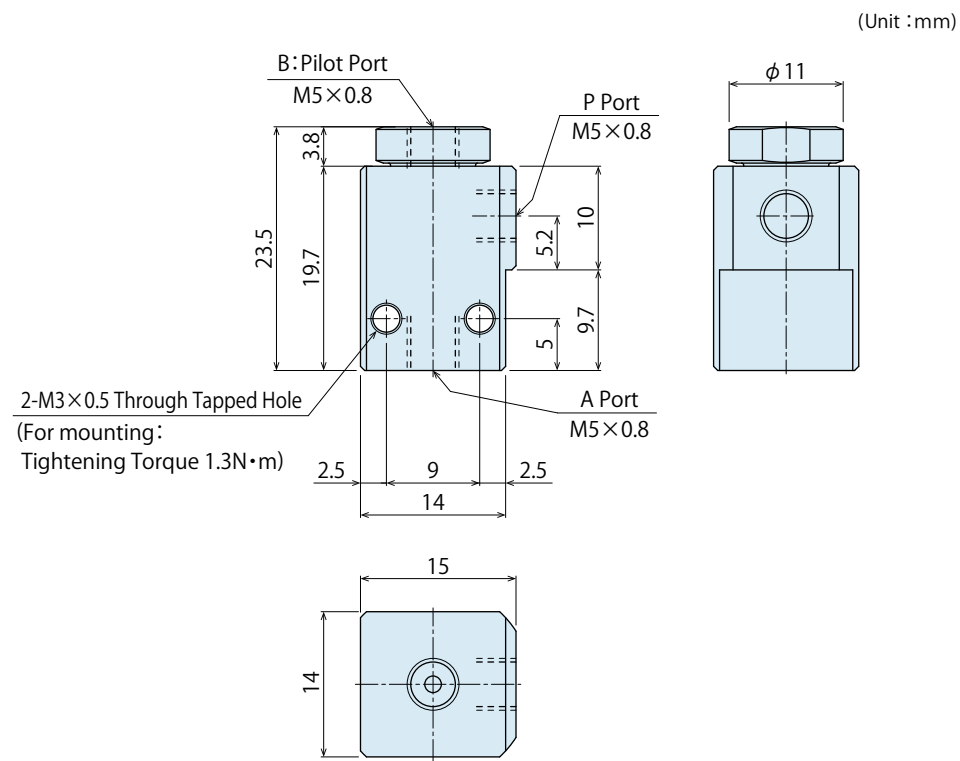
#### Rotary Joint

JR

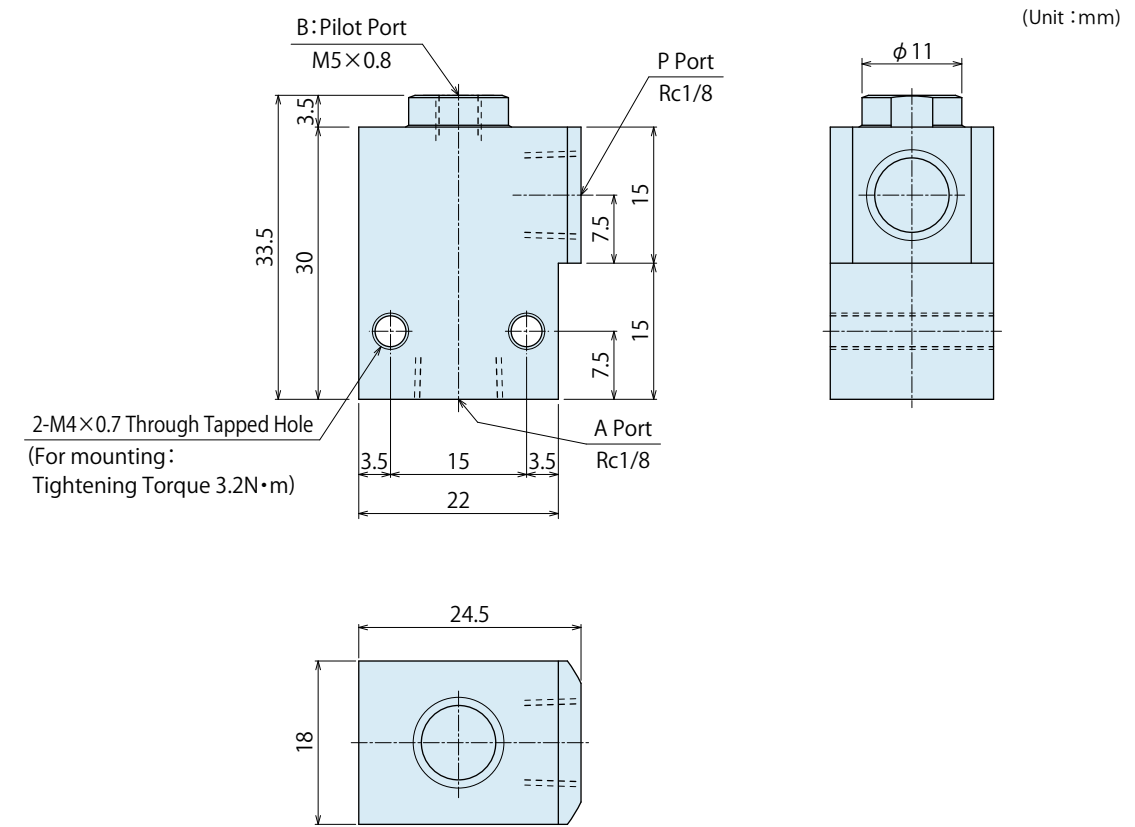
External Dimensions : BWS0030



External Dimensions : BWS0050



External Dimensions : BWS0101



Cautions

1. When using with a speed controller, set it between BWS and an actuator.
2. Please supply filtered clean dry air.  
Also, make sure no contaminants such as tips of sealing tape enter into the product as it affects a sealing ability.  
Pressure cannot be maintained if contaminants stick to a check valve.
3. This product is for maintaining pressure, and cannot be used under vacuum.

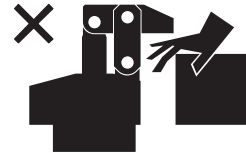
※ Please refer to P.715 for common cautions. • Notes on Handling • Maintenance/Inspection • Warranty

- Locating + Clamp
- Locating
- Hand · Clamp
- Support
- Valve · Coupler
- Cautions · Others
- Air Safety Valve
  - BWS
- Air Sequence Valve
  - BWD
- Auto Coupler
  - JTA/JTB
  - JTC/JTD
  - JVA/JVB
  - JVC/JVD
  - JVE/JVF
  - JNA/JNB
  - JNC/JND
  - JLP/JLS
- Leakless Coupler
  - JWC
- Rotary Joint
  - JR

**Cautions**

● Notes on Handling

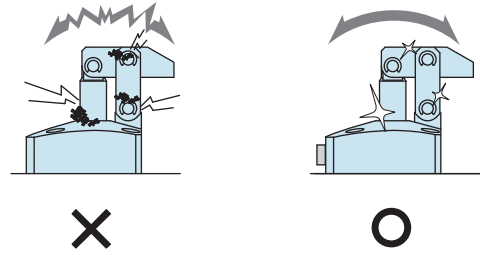
- 1) It should be operated by qualified personnel.
  - The hydraulic machine and air compressor should be operated and maintained by qualified personnel.
- 2) Do not operate or remove the product unless the safety protocols are ensured.
  - ① The machine and equipment can only be inspected or prepared when it is confirmed that the safety devices are in place.
  - ② Before the product is removed, make sure that the above-mentioned safety devices are in place. Shut off the pressure and power source, and make sure no pressure exists in the air and hydraulic circuits.
  - ③ After stopping the product, do not remove until the temperature drops.
  - ④ Make sure there is no trouble/issue in the bolts and respective parts before restarting the machine or equipment.
- 3) Do not touch a clamp (cylinder) while it is working. Otherwise, your hands may be injured.



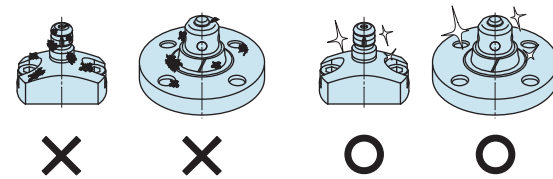
- 4) Do not disassemble or modify.
  - If the equipment is taken apart or modified, the warranty will be voided even within the warranty period.

● Maintenance and Inspection

- 1) Removal of the Machine and Shut-off of Pressure Source
  - Before removing the product, make sure that the safety devices are in place. Shut off the pressure and power source and make sure no pressure exists in the air and hydraulic circuits.
  - Make sure there is no trouble/issue in the bolts and respective parts before restarting.
- 2) Regularly clean the area around the piston rod and plunger.
  - If it is used when the surface is contaminated with dirt, it may lead to packing seal damage, malfunctioning, fluid leakage.



- 3) Regularly clean the reference surfaces (taper reference surface and seating surface) of locating products (SWT/SWQ/SWP/VRA/VRC/VX/VXE/VXF/WVS/VWH/VWM/VWK).
  - Locating products (except VRA/VRC/VX/VXE/VXF and SWR without air blow port) can remove contaminants with the cleaning function. When installing a workpiece or a pallet, make sure there are no contaminants such as thick sludge.
  - Continuous use with dirt on components will lead to locating failure, fluid leakage and malfunction.



- 4) Regularly tighten pipe, mounting bolt, nut, snap ring, cylinder and others to ensure proper use.
- 5) Make sure the hydraulic fluid has not deteriorated.
- 6) Make sure there is a smooth action without an irregular noise.
  - Especially when it is restarted after left unused for a long period, make sure it can be operated correctly.
- 7) The products should be stored in the cool and dark place without direct sunshine or moisture.
- 8) Please contact us for overhaul and repair.

● Warranty

- 1) Warranty Period
  - The product warranty period is 18 months from shipment from our factory or 12 months from initial use, whichever is earlier.
- 2) Warranty Scope
  - If the product is damaged or malfunctions during the warranty period due to faulty design, materials or workmanship, we will replace or repair the defective part at our expense. Defects or failures caused by the following are not covered.
    - ① If the stipulated maintenance and inspection are not carried out.
    - ② Failure caused by the use of the non-confirming state at the user's discretion.
    - ③ If it is used or operated in an inappropriate way by the operator. (Including damage caused by the misconduct of the third party.)
    - ④ If the defect is caused by reasons other than our responsibility.
    - ⑤ If repair or modifications are carried out by anyone other than Kosmek, or without our approval and confirmation, it will void warranty.
    - ⑥ Other caused by natural disasters or calamities not attributable to our company.
    - ⑦ Parts or replacement expenses due to parts consumption and deterioration. (Such as rubber, plastic, seal material and some electric components.)

Damages excluding from direct result of a product defect shall be excluded from the warranty.

- Locating + Clamp
- Locating
- Hand · Clamp
- Support
- Valve · Coupler
- Cautions · Others

- Cautions
- Installation Notes
- Maintenance/Inspection
- Warranty

- Company Profile
- Company Profile
- Our Products
- History

- Index
- Search by Alphabetical Order

- Sales Offices



WAHLTEC GmbH  
 Ravensburger Str. 14  
 88361 Altshausen  
 T: +49 (7584) 9238883  
 F: +49 (7584) 9238887

www.wahltec.de