

**New**

# Safety Push Valve Fall Prevention Valve



model **SWRA0M0**



model **SWRA0A0**

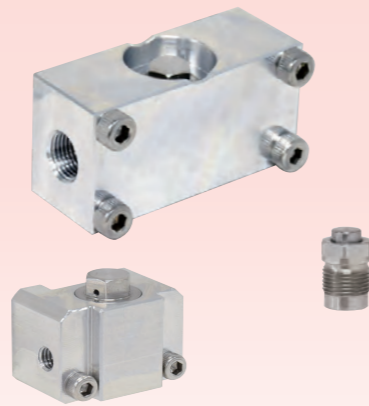


**Prevent a Tool Fall during Robot Teaching**

# Safety Push Valve

## Fall Prevention Valve

Model SWRA



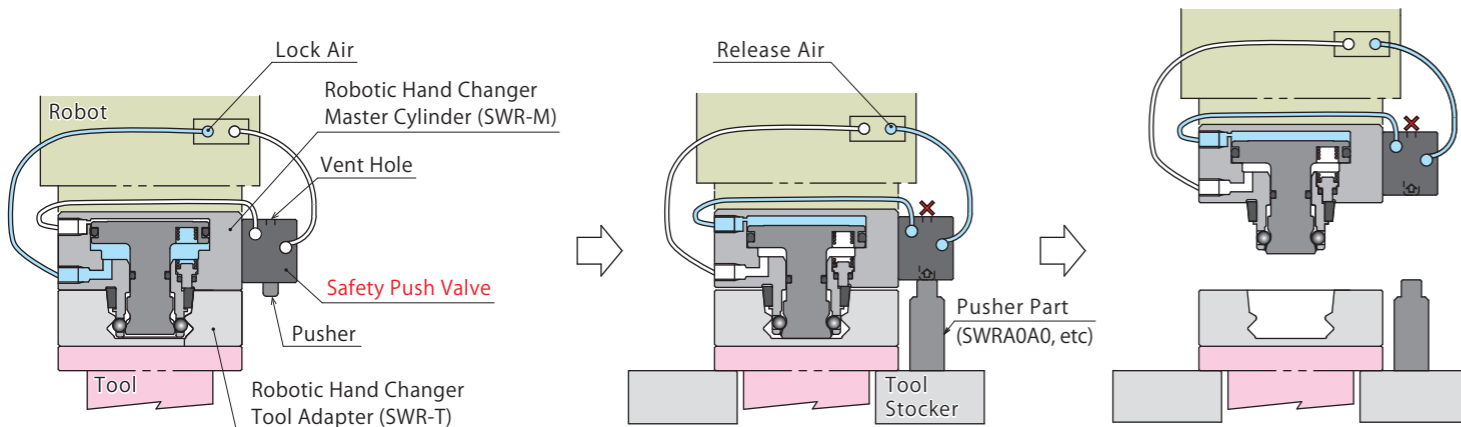
## Prevent a Tool Fall during Robot Teaching

Able to mount directly on the Kosmek Robotic Hand Changer (Model SWR), and prevent a tool fall caused by valve operating error.

PAT.P.

## Prevent a Tool Fall caused by Valve Operating Error

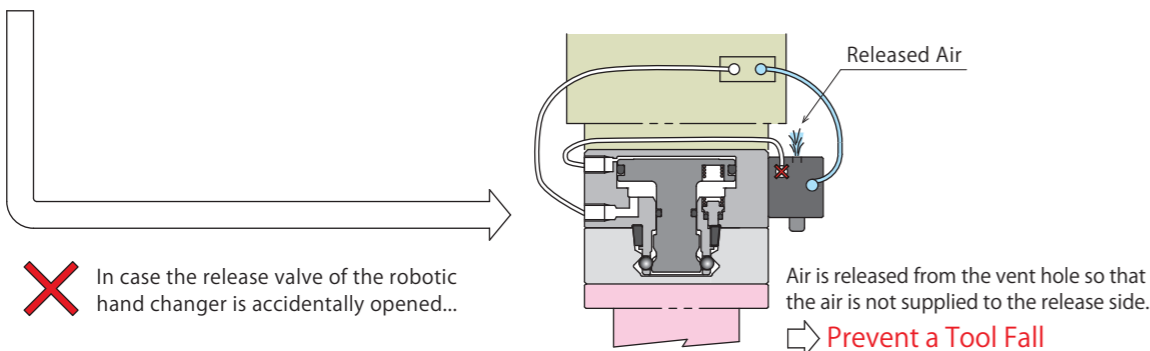
Enables to limit the robotic hand changer to release only at a designated position (tool stocker). Preventing a tool fall caused by valve operating error during robot teaching.



① Lock air is supplied. The master cylinder and the tool adapter are connected.

② Release air can be supplied only when the pusher is pushed in at the designated position (tool stocker).

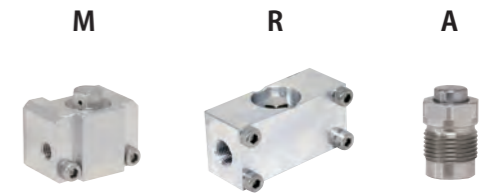
③ Released until release air supply is stopped.



### Model No. Indication

SWRA0□0

- M : Port M5 Thread
- R : Port Rc Thread
- A : Pusher Accessory



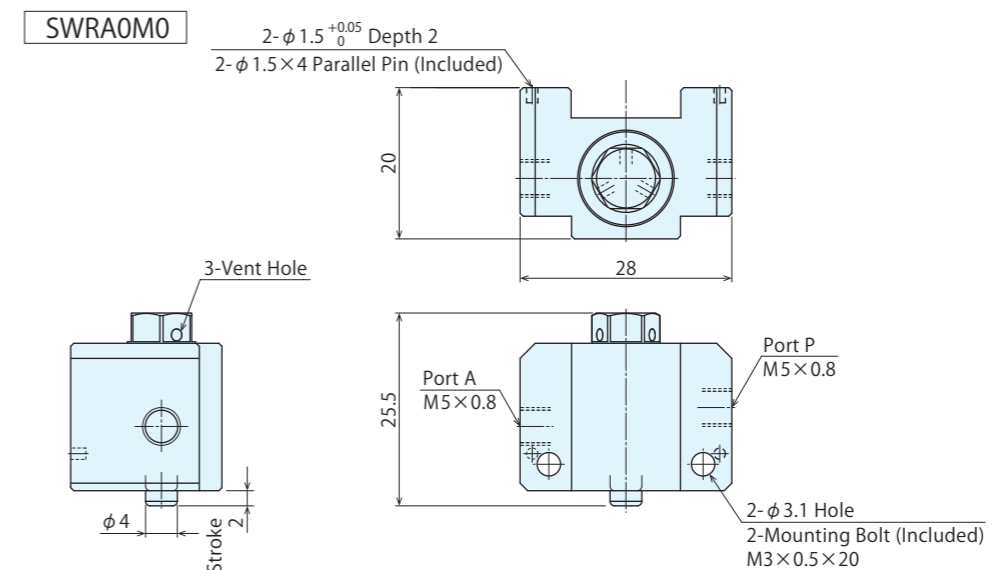
### Specifications

Model No.	SWRA0M0	SWRA0R0
Operating Pressure	MPa	0.35 ~ 0.5
Withstanding Pressure	MPa	0.75
Min. Passage Area	mm <sup>2</sup>	0.8
Pusher Stroke	mm	2
Pusher Pushing Force	N	5
Operating Temperature	°C	0 ~ 70
Usable Fluid	Dry Air	
Weight	g	30    60

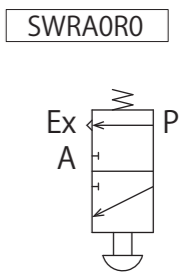
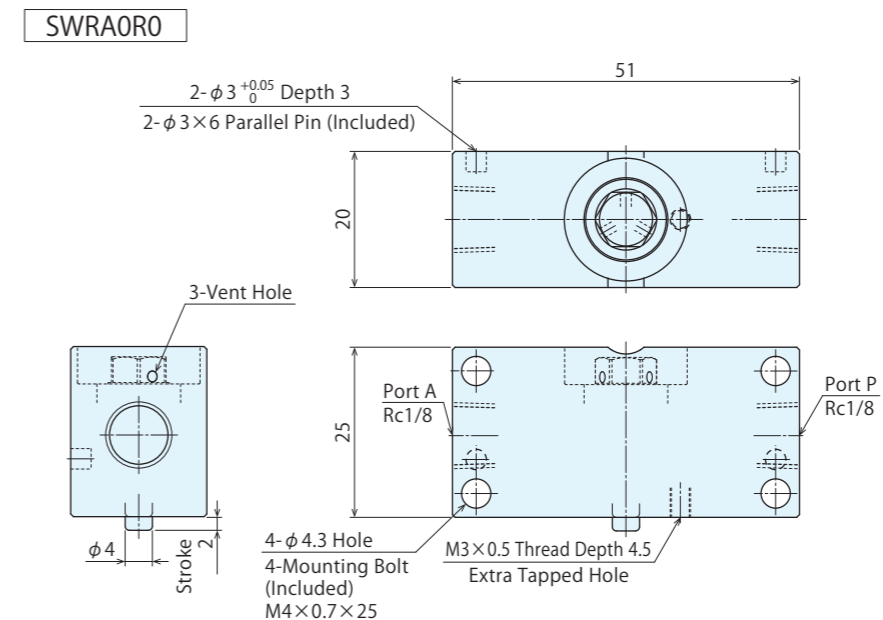
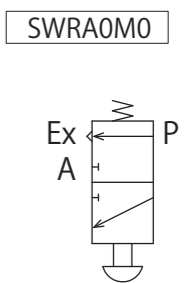
### Corresponding Model No.

Robotic Hand Changer	Safety Push Valve
SWR0070 - M□	SWRA0M0
SWR0120 - M□	
SWR0250 - M□	
SWR0500 - M□	
SWR0750 - M□	
SWR1200 - MAF	SWRA0R0
SWR2300 - MAF	

### External Dimensions : Safety Push Valve

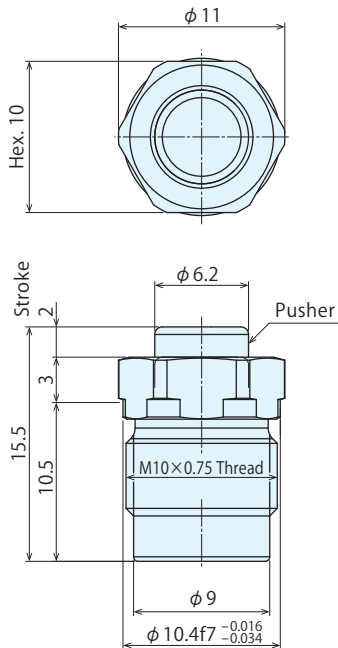


### Circuit Symbol



## External Dimensions : Pusher Accessory

SWRA0A0



## Specifications

Model No.	SWRA0A0	
Pusher Stroke	mm	2
Pusher Pushing Force	N	15
Operating Temperature	°C	0 ~ 70
Weight	g	6.3

### Notes :

1. This drawing shows the pusher projected state.
2. When the pusher of Safety Push Valve is projected, air is released from the vent port by supplying air to the port P.  
Air is supplied to the port A only when Safety Push Valve is pushed. (Air will not be released from the vent port.)
3. At the first use, push the pusher by hand and use it with the released state.
4. Design the pushing part considering the lifting stroke of SWR.
5. It is recommended that the pushing part floats up and down. (Teaching and designing of the pushing part become easier.)



## KOSMEK LTD.

<http://www.kosmek.com/>

HEAD OFFICE 1-5, 2-chome, Murotani, Nishi-ku, Kobe-city, Hyogo, Japan 651-2241  
TEL.+81-78-991-5162 FAX.+81-78-991-8787

United States of America SUBSIDIARY	KOSMEK (USA) LTD. 650 Springer Drive, Lombard, IL 60148 USA TEL. +1-630-620-7650 FAX. +1-630-620-9015
MEXICO REPRESENTATIVE OFFICE	KOSMEK USA Mexico Office Av. Santa Fe #103 int 59 Col. Santa Fe Juriquilla C.P. 76230 Queretaro, Qro Mexico TEL. +52-442-161-2347
EUROPE SUBSIDIARY	KOSMEK EUROPE GmbH Schleppeplatz 2 9020 Klagenfurt am Wörthersee Austria TEL. +43-463-287587 FAX. +43-463-287587-20
CHINA SUBSIDIARY	KOSMEK (CHINA) LTD. Room601, RIVERSIDE PYRAMID No.55, Lane21, Pusan Rd, Pudong Shanghai 200125, China TEL. +86-21-54253000
INDIA BRANCH OFFICE	KOSMEK LTD. - INDIA F 203, Level-2, First Floor, Prestige Center Point, Cunningham Road, Bangalore -560052 India TEL.+91-9880561695
THAILAND REPRESENTATIVE OFFICE	KOSMEK Thailand Representation Office 67 Soi 58, RAMA 9 Rd., Suanluang, Suanluang, Bangkok 10250, Thailand TEL. +66-2-300-5132 FAX. +66-2-300-5133



WAHLTEC GmbH  
Ravensburger Str. 14  
88361 Altshausen  
T: +49 (7584) 9238883  
F: +49 (7584) 9238887

[www.wahltec.de](http://www.wahltec.de)

- For Further Information on Unlisted Specifications and Sizes, Please call us.
- Specifications in this Leaflet are Subject to Change without Notice.

