

Compact Compressor / AYW0011-010

Appearance



Features

- Compact / Slim (Body Width 61 mm) ... Flexible installation position
- Low Vibration / Low Noise (about 50 dB) ... Designed for a better working environment

Applications

- For localized air supply
- For mounting on AGV/AMR
- As a small volume air source on a working table (portable)

Structure

- 4 Cylinders - Reciprocating Structure
- Stepper Motor Intermittent Drive (Operating Condition : DT50% or less)

Specifications

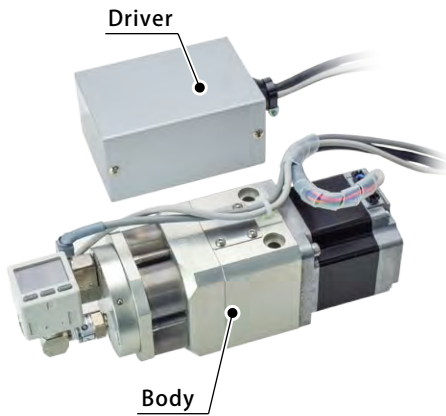
Model No.	AYW0011-010
Max. Discharge Pressure	0.55MPa
Control Pressure (Load Pressure/Unload Pressure)	When not specified 0.45MPa / 0.55MPa ^{※1}
Air Discharge Amount	4L/min (ANR) [under no load]~2L/min (ANR) [at 0.5MPa]
Rated Operating Time	Intermittent Operation DT50% or lower ^{※2}
Noise Level	About 50dB (Reference)
Weight	2kg (Body) / 0.3kg (Driver)
Input Power	DC24V・3A
Operating Temperature Range	0 ~ 40°C (Do not operate below freezing)
Operating Humidity Range	80% or less (Make sure no condensation)

Notes : ^{※1}. When the pressure in the circuit on the discharge port side reaches the unload pressure, the motor ceases operation and subsequently restarts as the pressure decreases to the load pressure. The control pressure can be adjusted using the pressure switch for load/unload control.

^{※2}. DT□% indicates the operating duty cycle, representing the percentage of the drive time in one cycle time.
(Example: In the case of DT33%, the drive time is about half of the unload time.)

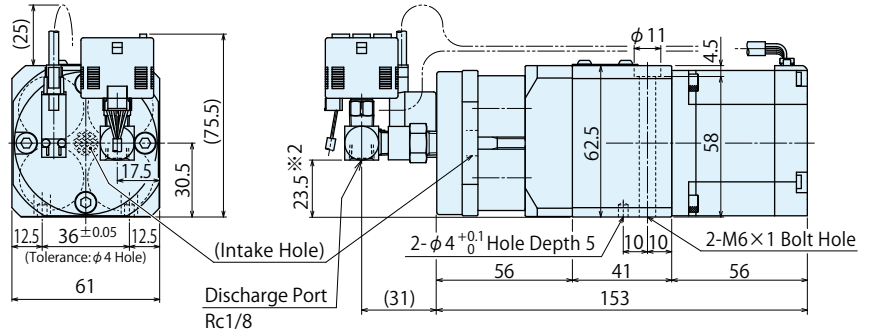
External Dimensions

Body

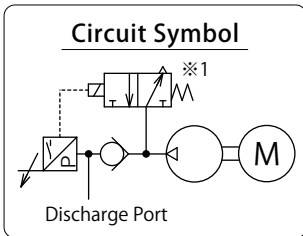
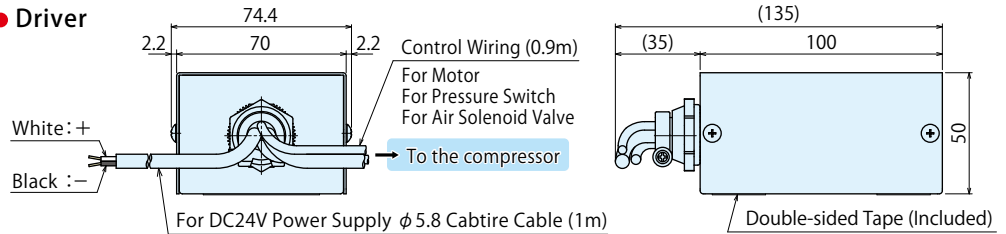


※1
Air Solenoid Valve for Residual Pressure Release (SMC) V124-5MOZ

Pressure Switch for Load/Unload Control (SMC) ISE20A-X-M-01-J



Driver



Notes:

- ※1. The air solenoid valve, which is responsible for releasing residual pressure, exhausts the remaining pressure in the compression chamber when the compressor is stopped. It does not control the discharge or stop of air pressure.
- ※2. Please check the external dimensions of the air fitting to be used to ensure adequate clearance. (Recommended example: SMC Elbow Union KQ2L04-01AS)
 1. Once the power is turned on, it will start operating and continue driving until the circuit pressure reaches the unload pressure. Confirm the circuit is not at an open state.
 2. Do not operate continuously. Use with intermittent operation (DT50% or lower).
 3. Do not change each driver switch settings. This may cause malfunction or damage to the product.
 4. This product does not have filtration equipment. Example: No filters on the discharge side. Please provide an air filter if necessary. (Compressed air contains moisture from the atmosphere and drainage containing oil and other contaminants is generated.)
 5. This product is not water or oil resistant, be mindful with operating environment.
 6. It is recommended to use an air tube with an outer diameter of φ 4 or less, to shorten the pressurizing time.
 7. The temperature of each part becomes high during operation. The temperature of each component increases during operation.



KOSMEK LTD.

▶ <https://www.kosmek.com/>

HEAD OFFICE 1-5, 2-chome, Murotani, Nishi-ku, Kobe-city, Hyogo, Japan 651-2241
TEL.+81-78-991-5162 FAX.+81-78-991-8787

United States of America SUBSIDIARY	KOSMEK (USA) LTD. 650 Springer Drive, Lombard, IL 60148 USA TEL. +1-630-620-7650 FAX. +1-630-620-9015
MEXICO REPRESENTATIVE OFFICE	KOSMEK USA Mexico Office Av. Loma Pinal de Amoles 320-piso PH oficina 504 interior 13, Vista Dorada, 76060 Santiago de Querétaro, Qro. Mexico TEL. +52-1-55-3044-9983
EUROPE SUBSIDIARY	KOSMEK EUROPE GmbH Schleppeplatz 2 9020 Klagenfurt am Wörthersee Austria TEL. +43-463-287587 FAX. +43-463-287587-20
CHINA SUBSIDIARY	KOSMEK (CHINA) LTD. Room601, RIVERSIDE PYRAMID No.55, Lane21, Pusan Rd, Pudong Shanghai 200125, China TEL. +86-21-54253000
INDIA BRANCH OFFICE	KOSMEK LTD. - INDIA 4A/Old No:649, Ground Floor, 4th D cross, MM Layout, Kavalbyrasandra, RT Nagar, Bangalore -560032 India TEL.+91-9880561695
THAILAND REPRESENTATIVE OFFICE	KOSMEK Thailand Representation Office 67 Soi 58, RAMA 9 Rd., Phatthanakan, Suanluang, Bangkok 10250, Thailand TEL. +66-2-300-5132 FAX. +66-2-300-5133



WAHLTEC GmbH
Ravensburger Str. 14
88361 Altshausen
T: +49 (7584) 9238883
F: +49 (7584) 9238887

www.wahltec.de

- For Further Information on Unlisted Specifications and Sizes, Please call us.
- Specifications in this Leaflet are Subject to Change without Notice.



JQA-QMA10823
KOSMEK HEAD OFFICE

2025/03 First 0Ry
2025/09 3rd 0Ry