

Accessories : Material Swing Lever

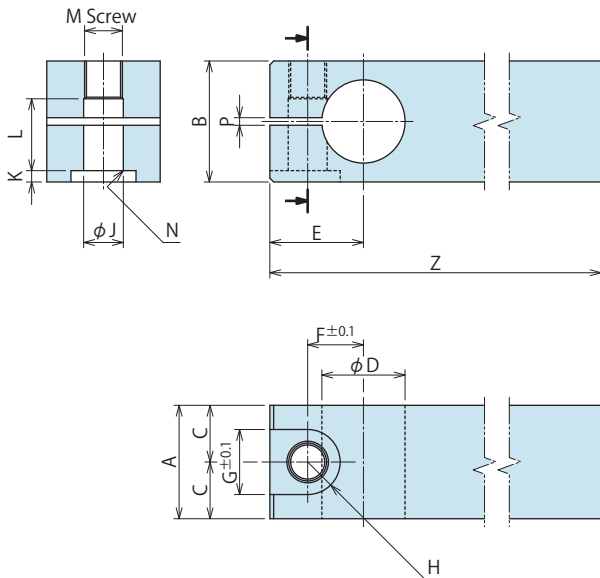
※ If you design and manufacture levers, the mounting dimensions should match below chart. If you manufacture the swing lever with different dimensions than the list above, it could lead to malfunctions, including poor clamp force not up to specification, deformation and scrapping.

Model No. Indication

TLZ 080 0 - L2

Size (Refer to the graph on the right.)

Design No. (Revision Number)



								(mm)
Model No.	TLZ0400-L2	TLZ0600-L2	TLZ0800-L2	TLZ1000-L2	TLZ1600-L2	TLZ2000-L2	TLZ2500-L2	TLZ4000-L2
Corresponding Model No.	TLA0401-2	TLA0601-2	TLA0801-2	TLA1001-2	TLA1601-2	TLA2001-2	TLA2501-2	TLA4001-2
A	19	22	25	30	34	40	46	55
B	22	25	26	32	36	45	53	70
C	9.5	11	12.5	15	17	20	23	27.5
D	14 ⁰ _{-0.016}	16 ⁰ _{-0.016}	18 ⁰ _{-0.016}	22 ⁰ _{-0.020}	25 ⁰ _{-0.020}	30 ⁰ _{-0.020}	35.5 ⁰ _{-0.025}	45 ⁰ _{-0.025}
E	15	18	19	23	26.5	31.5	36.5	46
F	9.25	11	12	14.75	17	20	23.5	29.75
G	11	14	14	17.5	20	23	26	32
H	5.5	7	7	8.75	10	11.5	13	16
J	6.5	8.5	8.5	10.5	12.5	14.5	16.5	21
K	2	3	3	4	4	5	7	9
L	13.5	15.5	16	18	22	26.5	31	42
M	M6×1	M8×1	M8×1	M10×1.25	M12×1.5	M14×1.5	M16×1.5	M20×2
N	C0.4	C0.6	C0.6	C0.6	C1	C1	C1	C1
P	2	2	2	2	2	2	2	2
Z	105	120	145	160	170	175	185	220

- Notes
1. Material : S50CH
 2. If necessary, the front end should be additionally machined.
 3. The lever phase definite decision is necessary.
Make additional machining using below chart for machining dimensions.
 4. Sells the tightening bolt for lever separately.

Accessories : Tightening Bolts for Quick Change Lever

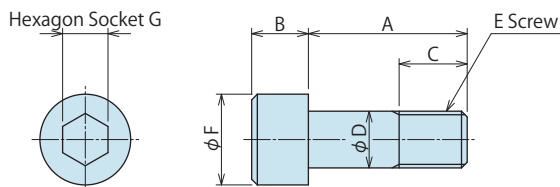
※ If you design and manufacture lever connecting bolt, machine according to above dimension chart and use class 12.9 material.

Model No. Indication

TLZ 080 0 - LB

Size (Refer to the graph on the right.)

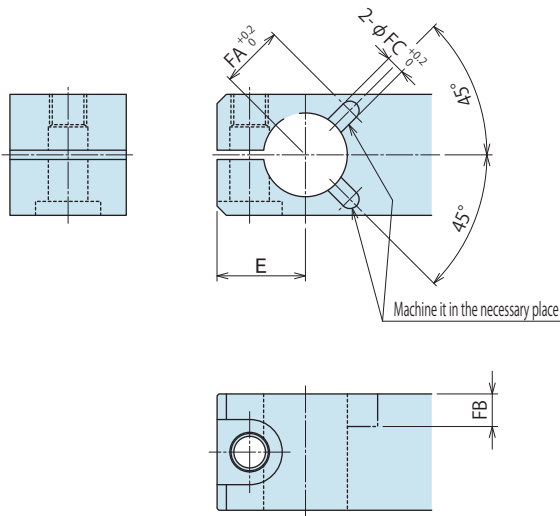
Design No. (Revision Number)



								(mm)
Model No.	TLZ0400-LB	TLZ0600-LB	TLZ0800-LB	TLZ1000-LB	TLZ1600-LB	TLZ2000-LB	TLZ2500-LB	TLZ4000-LB
Corresponding Model No.	TLA0401-2	TLA0601-2	TLA0801-2	TLA1001-2	TLA1601-2	TLA2001-2	TLA2501-2	TLA4001-2
A	20	22	23	28	32	40	46	61
B	6	8	8	10	12	14	16	20
C	7	9	10	11	13	16	18	23
D	6	8	8	10	12	14	16	20
E	M6×1	M8×1	M8×1	M10×1.25	M12×1.5	M14×1.5	M16×1.5	M20×2
F	10	13	13	16	18	21	24	30
G	5	6	6	8	10	12	14	17

Pin Hole for Lever Phasing Additional Machining Dimensions (Reference)

※ This additional process match to TLA□1-2.



Corresponding Lever Model	TLZ0400-L2	TLZ0600-L2	TLZ0800-L2	TLZ1000-L2	TLZ1600-L2	TLZ2000-L2	TLZ2500-L2	TLZ4000-L2	(mm)
E	15	18	19	23	26.5	31.5	36.5	46	
FA	10.5	12.5	13.5	15.5	17	21.5	24.2	31	
FB	5.5	7	7	7	7.5	10	10	13.5	
FC	3	4	4	4	4	6	6	8	

- Notes
1. Material : S50CH
 2. When determining phase hole is necessary, refer to the swing lever design dimensions for each model.
If no need to determine phase, additional machining is not necessary.

High-Power Series

Pneumatic Series

Hydraulic Series

Valve / Coupler Hydraulic Unit

Manual Operation Accessories

Cautions / Others

Hole Clamp

- SFA
- SFC

Swing Clamp

- LHA
- LHC
- LHS
- LHW
- LT/LG
- TLA-2**
- TLB-2
- TLA-1

Link Clamp

- LKA
- LKC
- LKW
- LM/LJ
- TMA-2
- TMA-1

Work Support

- LD
- LC
- TNC
- TC

Air Sensing Lift Cylinder

- LLW

Compact Cylinder

- LL
- LLR
- LLU
- DP
- DR
- DS
- DT

Block Cylinder

- DBA
- DBC

Control Valve

- BZL
- BZT
- BZX/JZG

Pallet Clamp

- VS
- VT

Expansion Locating Pin

- VL
- VM
- VJ
- VK

Pull Stud Clamp

- FP
- FQ

Customized Spring Cylinder

- DWA/DWB

Accessories : Material Swing Lever

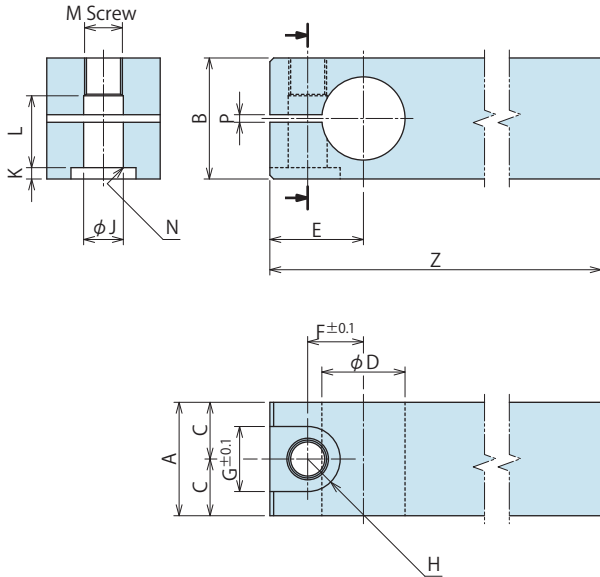
※ If you design and manufacture levers, the mounting dimensions should match below chart. If you manufacture the swing lever with different dimensions than the list above, it could lead to malfunctions, including poor clamp force not up to specification, deformation and scrapping.

Model No. Indication

TLZ 080 0 - L2

Size (Refer to the graph on the right.)

Design No. (Revision Number)



		(mm)						
Model	TLZ0400-L2	TLZ0600-L2	TLZ0800-L2	TLZ1000-L2	TLZ1600-L2	TLZ2000-L2	TLZ2500-L2	TLZ4000-L2
Corresponding Model No.	TLB0401-2	TLB0601-2	TLB0801-2	TLB1001-2	TLB1601-2	TLB2001-2	TLB2501-2	TLB4001-2
A	19	22	25	30	34	40	46	55
B	22	25	26	32	36	45	53	70
C	9.5	11	12.5	15	17	20	23	27.5
D	14 ⁰ _{-0.016}	16 ⁰ _{-0.016}	18 ⁰ _{-0.016}	22 ⁰ _{-0.020}	25 ⁰ _{-0.020}	30 ⁰ _{-0.020}	35.5 ⁰ _{-0.025}	45 ⁰ _{-0.025}
E	15	18	19	23	26.5	31.5	36.5	46
F	9.25	11	12	14.75	17	20	23.5	29.75
G	11	14	14	17.5	20	23	26	32
H	5.5	7	7	8.75	10	11.5	13	16
J	6.5	8.5	8.5	10.5	12.5	14.5	16.5	21
K	2	3	3	4	4	5	7	9
L	13.5	15.5	16	18	22	26.5	31	42
M	M6×1	M8×1	M8×1	M10×1.25	M12×1.5	M14×1.5	M16×1.5	M20×2
N	C0.4	C0.6	C0.6	C0.6	C1	C1	C1	C1
P	2	2	2	2	2	2	2	2
Z	105	120	145	160	170	175	185	220

- Notes
1. Material : S50CH
 2. If necessary, the front end should be additionally machined.
 3. The lever phase definite decision is necessary.
Make additional machining using below chart for machining dimensions.
 4. Sells the tightening bolt for lever separately.

Accessories : Tightening Bolts for Quick Change Lever

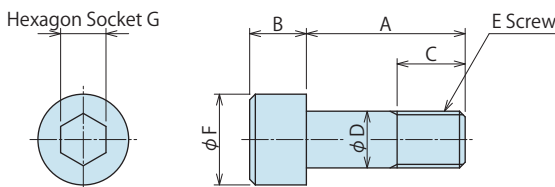
※ If you design and manufacture lever connecting bolt, machine according to above dimension chart and use class 12.9 material.

Model No. Indication

TLZ 080 0 - LB

Size (Refer to the graph on the right.)

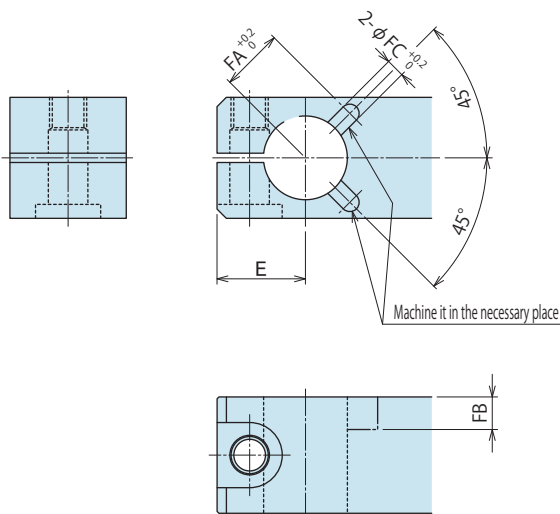
Design No. (Revision Number)



		(mm)						
Model	TLZ0400-LB	TLZ0600-LB	TLZ0800-LB	TLZ1000-LB	TLZ1600-LB	TLZ2000-LB	TLZ2500-LB	TLZ4000-LB
Corresponding Model No.	TLB0401-2	TLB0601-2	TLB0801-2	TLB1001-2	TLB1601-2	TLB2001-2	TLB2501-2	TLB4001-2
A	20	22	23	28	32	40	46	61
B	6	8	8	10	12	14	16	20
C	7	9	10	11	13	16	18	23
D	6	8	8	10	12	14	16	20
E	M6×1	M8×1	M8×1	M10×1.25	M12×1.5	M14×1.5	M16×1.5	M20×2
F	10	13	13	16	18	21	24	30
G	5	6	6	8	10	12	14	17

Pin Hole for Lever Phasing Additional Machining Dimensions (Reference)

※ This additional process match to TLB□1-2.



Corresponding Lever Model	TLZ0400-L2	TLZ0600-L2	TLZ0800-L2	TLZ1000-L2	TLZ1600-L2	TLZ2000-L2	TLZ2500-L2	TLZ4000-L2
E	15	18	19	23	26.5	31.5	36.5	46
FA	10.5	12.5	13.5	15.5	17	21.5	24.2	31
FB	5.5	7	7	7	7.5	10	10	13.5
FC	3	4	4	4	4	6	6	8

- Notes
1. Material : S50CH
 2. When determining phase hole is necessary, refer to the swing lever design dimensions for each model.
If no need to determine phase, additional machining is not necessary.

High-Power Series

Pneumatic Series

Hydraulic Series

Valve / Coupler Hydraulic Unit

Manual Operation Accessories

Cautions / Others

Hole Clamp

- SFA
- SFC

Swing Clamp

- LHA
- LHC
- LHS
- LHW
- LT/LG
- TLA-2
- TLB-2**
- TLA-1

Link Clamp

- LKA
- LKC
- LKW
- LM/LJ
- TMA-2
- TMA-1

Work Support

- LD
- LC
- TNC
- TC

Air Sensing Lift Cylinder

- LLW

Compact Cylinder

- LL
- LLR
- LLU
- DP
- DR
- DS
- DT

Block Cylinder

- DBA
- DBC

Control Valve

- BZL
- BZT
- BZX/JZG

Pallet Clamp

- VS
- VT

Expansion Locating Pin

- VL
- VM
- VJ
- VK

Pull Stud Clamp

- FP
- FQ

Customized Spring Cylinder

- DWA/DWB

Accessories : Material Swing Lever

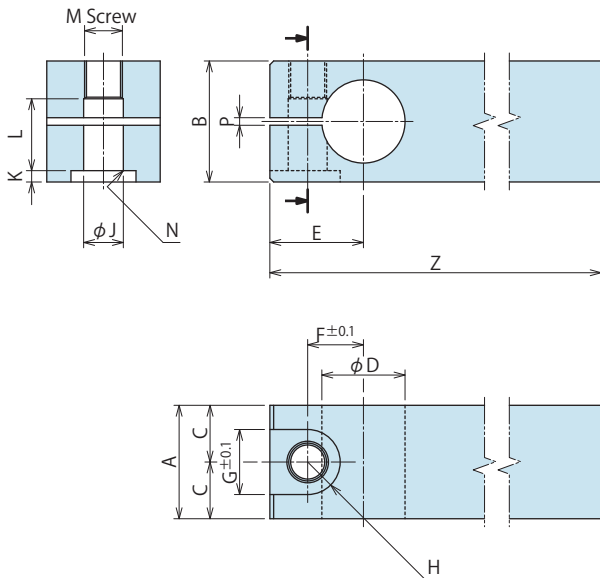
※ If you design and manufacture levers, the mounting dimensions should match below chart. If you manufacture the swing lever with different dimensions than the list above, it could lead to malfunctions, including poor clamp force not up to specification, deformation and scrapping.

Model No. Indication

TLZ 080 0 - L2

Size (Refer to the graph on the right.)

Design No. (Revision Number)



								(mm)
Model No.	TLZ0400-L2	TLZ0600-L2	TLZ0800-L2	TLZ1000-L2	TLZ1600-L2	TLZ2000-L2	TLZ2500-L2	TLZ4000-L2
Corresponding Model No.	TLA0402-1	TLA0602-1	TLA0802-1	TLA1002-1	TLA1602-1	TLA2002-1	TLA2502-1	TLA4002-1
A	19	22	25	30	34	40	46	55
B	22	25	26	32	36	45	53	70
C	9.5	11	12.5	15	17	20	23	27.5
D	14 ⁰ _{-0.016}	16 ⁰ _{-0.016}	18 ⁰ _{-0.016}	22 ⁰ _{-0.020}	25 ⁰ _{-0.020}	30 ⁰ _{-0.020}	35.5 ⁰ _{-0.025}	45 ⁰ _{-0.025}
E	15	18	19	23	26.5	31.5	36.5	46
F	9.25	11	12	14.75	17	20	23.5	29.75
G	11	14	14	17.5	20	23	26	32
H	5.5	7	7	8.75	10	11.5	13	16
J	6.5	8.5	8.5	10.5	12.5	14.5	16.5	21
K	2	3	3	4	4	5	7	9
L	13.5	15.5	16	18	22	26.5	31	42
M	M6×1	M8×1	M8×1	M10×1.25	M12×1.5	M14×1.5	M16×1.5	M20×2
N	C0.4	C0.6	C0.6	C0.6	C1	C1	C1	C1
P	2	2	2	2	2	2	2	2
Z	105	120	145	160	170	175	185	220

- Notes
1. Material : S50CH
 2. If necessary, the front end should be additionally machined.
 3. The lever phase definite decision is necessary.
Make additional machining using below chart for machining dimensions.
 4. Sells the tightening bolt for lever separately.

Accessories : Tightening Bolts for Quick Change Lever

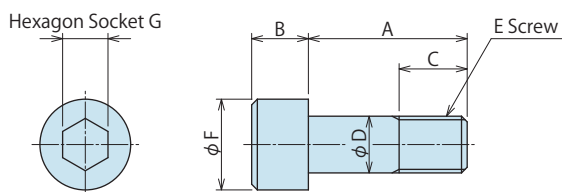
※ If you design and manufacture lever connecting bolt, machine according to above dimension chart and use class 12.9 material.

Model No. Indication

TLZ 080 0 - LB

Size (Refer to the graph on the right.)

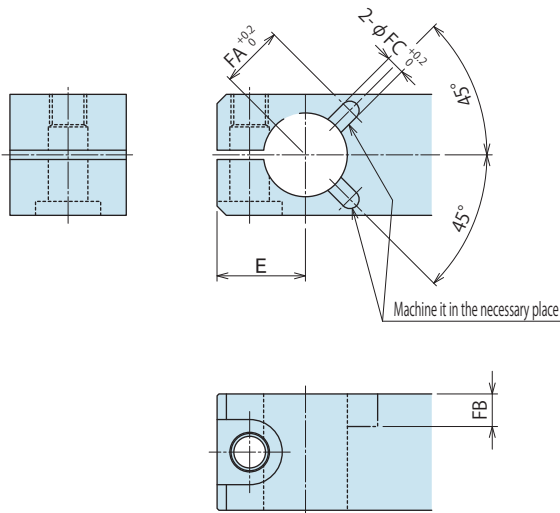
Design No. (Revision Number)



								(mm)
Model No.	TLZ0400-LB	TLZ0600-LB	TLZ0800-LB	TLZ1000-LB	TLZ1600-LB	TLZ2000-LB	TLZ2500-LB	TLZ4000-LB
Corresponding Model No.	TLA0402-1	TLA0602-1	TLA0802-1	TLA1002-1	TLA1602-1	TLA2002-1	TLA2502-1	TLA4002-1
A	20	22	23	28	32	40	46	61
B	6	8	8	10	12	14	16	20
C	7	9	10	11	13	16	18	23
D	6	8	8	10	12	14	16	20
E	M6×1	M8×1	M8×1	M10×1.25	M12×1.5	M14×1.5	M16×1.5	M20×2
F	10	13	13	16	18	21	24	30
G	5	6	6	8	10	12	14	17

Pin Hole for Lever Phasing Additional Machining Dimensions (Reference)

※ This additional process match to TLA□2-1.



Corresponding Lever Model	TLZ0400-L2	TLZ0600-L2	TLZ0800-L2	TLZ1000-L2	TLZ1600-L2	TLZ2000-L2	TLZ2500-L2	TLZ4000-L2	(mm)
E	15	18	19	23	26.5	31.5	36.5	46	
FA	10.5	12.5	13.5	15.5	17	21.5	24.2	31	
FB	5.5	7	7	7	7.5	10	10	13.5	
FC	3	4	4	4	4	6	6	8	

- Notes
1. Material : S50CH
 2. When determining phase hole is necessary, refer to the swing lever design dimensions for each model.
If no need to determine phase, additional machining is not necessary.

High-Power Series

Pneumatic Series

Hydraulic Series

Valve / Coupler Hydraulic Unit

Manual Operation Accessories

Cautions / Others

Hole Clamp

- SFA
- SFC

Swing Clamp

- LHA
- LHC
- LHS
- LHW
- LT/LG
- TLA-2
- TLB-2
- TLA-1**

Link Clamp

- LKA
- LKC
- LKW
- LM/LJ
- TMA-2
- TMA-1

Work Support

- LD
- LC
- TNC
- TC

Air Sensing Lift Cylinder

- LLW

Compact Cylinder

- LL
- LLR
- LLU
- DP
- DR
- DS
- DT

Block Cylinder

- DBA
- DBC

Control Valve

- BZL
- BZT
- BZX/JZG

Pallet Clamp

- VS
- VT

Expansion Locating Pin

- VL
- VM
- VJ
- VK

Pull Stud Clamp

- FP
- FQ

Customized Spring Cylinder

- DWA/DWB



WAHLTEC GmbH
Ravensburger Str. 14
88361 Altshausen
T: +49 (7584) 9238883
F: +49 (7584) 9238887

www.wahltec.de