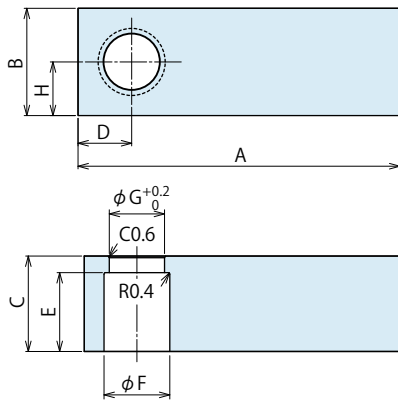


Accessories : Material Swing Lever for Taper Lock Option

Model No. Indication

LZH 048 0 - T
 Size (Refer to the table.) Design No. (Revision Number)



Model No.	LZH0360 -T	LZH0400 -T	LZH0480 -T	LZH0550 -T	LZH0650 -T	LZH0750 -T	LZH0900 -T	LZH1050 -T
Corresponding Model No.※1	LHA0360	LHA0400	LHA0480	LHA0550	LHA0650	LHA0750	LHA0900	LHA1050
A	120	145	160	170	175	185	220	270
B	26	32	40	45	50	58	75	90
C	17	19	23	26	29	35	43	50
D	13	16	20	23	25	29	38	45
E	14	16	19	22	25	31	38	44
F	17	20	25	28	34	40	49	60
G	15	17	21	23.5	29	33	42	51
H	13	16	20	22.5	25	29	37.5	45

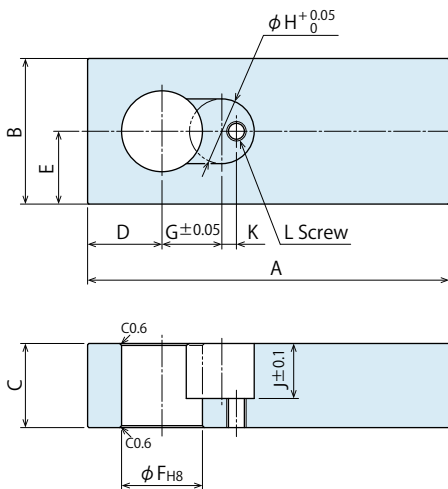
Notes :

1. Material : S50CH
 2. If necessary, the front end should be additionally machined.
 3. When determining the phase, refer to taper lock lever design dimensions for each model for the additional machining.
- ※1. Refer to Accessory of Quick Change Lever Type A for -A (Quick Change Lever Type A). Refer to Accessory of Quick Change Lever Type F for -F (Quick Change Lever Type F). For -P (Balance Lever Option), it should be designed by customer.

Accessories : Material Swing Lever for Quick Change Lever Type A

Model No. Indication

LZH 048 0 - A
 Size (Refer to the table.) Design No. (Revision Number)



Model No.	LZH0360 -A	LZH0400 -A	LZH0480 -A	LZH0550 -A	LZH0650 -A	LZH0750 -A	LZH0900 -A	LZH1050 -A
Corresponding Model No.	LHA0360 -□□□-A	LHA0400 -□□□-A	LHA0480 -□□□-A	LHA0550 -□□□-A	LHA0650 -□□□-A	LHA0750 -□□□-A	LHA0900 -□□□-A	LHA1050 -□□□-A
A	120	145	160	170	175	185	220	270
B	26	32	40	45	50	58	75	90
C	17	19	23	26	29	35	43	50
D	13	16	20	23	25	29	38	45
E	13	16	20	22.5	25	29	37.5	45
F	15 ^{+0.027}	18 ^{+0.027}	22 ^{+0.033}	25 ^{+0.033}	30 ^{+0.033}	35.5 ^{+0.039}	45 ^{+0.039}	55 ^{+0.046}
G	12.5	15	16.5	18.5	20.5	25	31	33.5
H	12	15	18	20	24	28	36	46
J	11	13	15.5	17	19	21	28	33
K	2	2.5	4	4.5	6.5	6.5	9	14
L	M4×0.7	M5×0.8	M5×0.8	M6×1	M6×1	M8×1.25	M10×1.5	M10×1.5

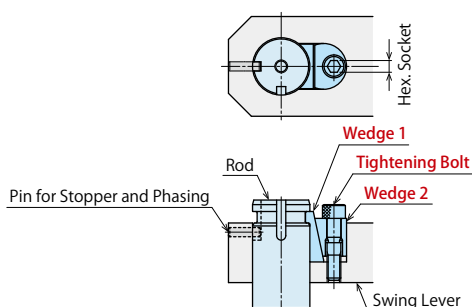
Notes :

1. Material : S50CH
2. If necessary, the front end should be additionally machined.
3. The pin hole for stopper and lever phasing should be additionally machined by referring to Quick Change Lever Type A Design Dimensions.
4. Tightening Kit (LZH□-W) for Quick Change Lever Type A is sold separately.

Accessories : Tightening Kit for Quick Change Lever Type A

Model No. Indication

LZH 048 0 - W
 Size (Refer to the table.) Design No. (Revision Number)



Tightening Kit for mounting Quick Change Lever Type A.

Sold separately from clamp body.

【Contents of Tightening Kit】

- Wedge 1 • Wedge 2 • Tightening Bolt

Model No.	LZH0360 -W	LZH0400 -W	LZH0480 -W	LZH0550 -W	LZH0650 -W	LZH0750 -W	LZH0900 -W	LZH1050 -W
Corresponding Model No.	LHA0360 -□□□-A	LHA0400 -□□□-A	LHA0480 -□□□-A	LHA0550 -□□□-A	LHA0650 -□□□-A	LHA0750 -□□□-A	LHA0900 -□□□-A	LHA1050 -□□□-A
Nominal×Pitch of Tightening Bolt	M4×0.7	M5×0.8	M5×0.8	M6×1	M6×1	M8×1.25	M10×1.5	M10×1.5
Hex. Socket mm	3	4	4	5	5	6	8	8
Tightening Torque N·m	2.5	5.0	5.0	8.0	8.0	20	40	45

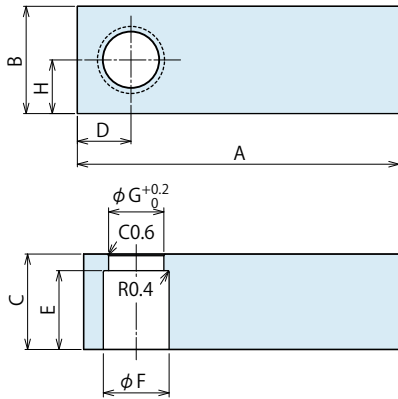
● Accessories : Material Swing Lever for Taper Lock Option

Model No. Indication

LZH 048 0 - T

Size
(Refer to the table.)

Design No.
(Revision Number)



Model No.	(mm)				
	LZH0360 -T	LZH0400 -T	LZH0480 -T	LZH0550 -T	LZH0650 -T
Corresponding Model No. ^{※5}	LHC0360	LHC0400	LHC0480	LHC0550	LHC0650
A	120	145	160	170	175
B	26	32	40	45	50
C	17	19	23	26	29
D	13	16	20	23	25
E	14	16	19	22	25
F	17	20	25	28	34
G	15	17	21	23.5	29
H	13	16	20	22.5	25

Notes :

1. Material : S50CH
2. If necessary, the front end should be additionally machined.
3. When determining the phase, refer to taper lock lever design dimensions for each model for the additional machining.

※5. Refer to Accessory of Quick Change Lever Type A for -A (Quick Change Lever Type A).

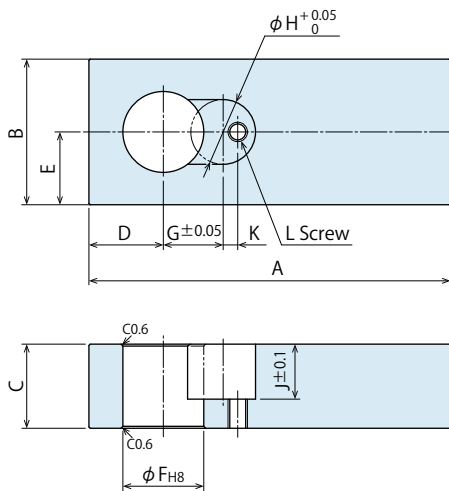
● Accessories : Material Swing Lever for Quick Change Lever Type A

Model No. Indication

LZH 048 0 - A

Size
(Refer to the table.)

Design No.
(Revision Number)



Model No.	(mm)				
	LZH0360 -A	LZH0400 -A	LZH0480 -A	LZH0550 -A	LZH0650 -A
Corresponding Model No.	LHC0360 -□□-A	LHC0400 -□□-A	LHC0480 -□□-A	LHC0550 -□□-A	LHC0650 -□□-A
A	120	145	160	170	175
B	26	32	40	45	50
C	17	19	23	26	29
D	13	16	20	23	25
E	13	16	20	22.5	25
F	15 ^{+0.027}	18 ^{+0.027}	22 ^{+0.033}	25 ^{+0.033}	30 ^{+0.033}
G	12.5	15	16.5	18.5	20.5
H	12	15	18	20	24
J	11	13	15.5	17	19
K	2	2.5	4	4.5	6.5
L	M4×0.7	M5×0.8	M5×0.8	M6×1	M6×1

Notes :

1. Material : S50CH
2. If necessary, the front end should be additionally machined.
3. The pin hole for stopper and lever phasing should be additionally machined by referring to Quick Change Lever Type A Design Dimensions.
4. Tightening Kit (LZH□-W) for Quick Change Lever Type A is sold separately.

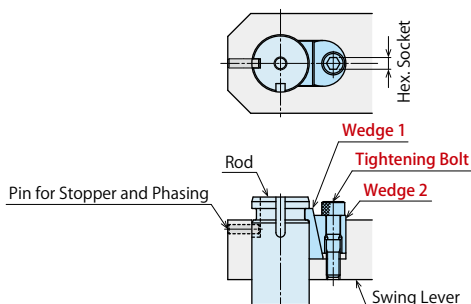
● Accessories : Tightening Kit for Quick Change Lever Type A

Model No. Indication

LZH 048 0 - W

Size
(Refer to the table.)

Design No.
(Revision Number)



Tightening Kit for mounting Quick Change Lever Type A.
Sold separately from clamp body.

【Contents of Tightening Kit】

- Wedge 1 • Wedge 2 • Tightening Bolt

Model No.	(mm)				
	LZH0360 -W	LZH0400 -W	LZH0480 -W	LZH0550 -W	LZH0650 -W
Corresponding Model No.	LHC0360 -□□-A	LHC0400 -□□-A	LHC0480 -□□-A	LHC0550 -□□-A	LHC0650 -□□-A
Nominal×Pitch of Tightening Bolt	M4×0.7	M5×0.8	M5×0.8	M6×1	M6×1
Hex. Socket mm	3	4	4	5	5
Tightening Torque N·m	2.5	5.0	5.0	8.0	8.0

High-Power Series

Pneumatic Series

Hydraulic Series

Valve / Coupler Hydraulic Unit

Manual Operation Accessories

Cautions / Others

Hole Clamp

SFA
SFC

Swing Clamp

LHA
LHC
LHS
LHW
LT/LG
TLA-2
TLB-2
TLA-1

Link Clamp

LKA
LKC
LKW
LM/LJ
TMA-2
TMA-1

Work Support

LD
LC
TNC
TC

Air Sensing Lift Cylinder

LLW

Compact Cylinder

LL
LLR
LLU
DP
DR
DS
DT

Block Cylinder

DBA
DBC

Centering Vise

FVA
FVD
FVC

Control Valve

BZL
BZT
BZX/JZG

Pallet Clamp

VS
VT

Expansion Locating Pin

VFL
VFM
VFJ
VFK

Pull Stud Clamp

FP
FQ

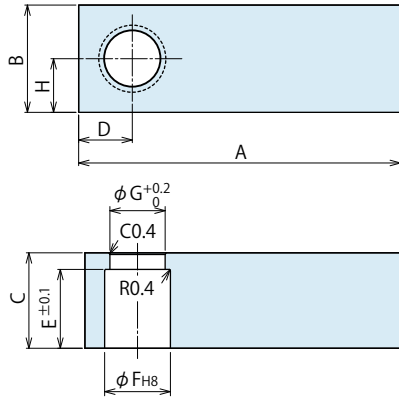
Customized Spring Cylinder

DWA/DWB

Accessories : Material Swing Lever for Taper Lock Option

Model No. Indication

LZH 040 0 - T
 Size (Refer to the table.) Design No. (Revision Number)



(mm)

Model No.	LZH0300-T	LZH0360-T	LZH0400-T	LZH0480-T	LZH0550-T
Corresponding Model No. ※6	LHE0300-□□□-Y□	LHE0360-□□□-Y□	LHE0400-□□□-Y□	LHE0480-□□□-Y□	LHE0550-□□□-Y□
A	90	120	145	160	170
B	21	26	32	40	45
C	14	17	19	23	26
D	10.5	13	16	20	23
E	11	14	16	19	22
F	14 + ^{0.027} / ₀	17 + ^{0.027} / ₀	20 + ^{0.033} / ₀	25 + ^{0.033} / ₀	28 + ^{0.033} / ₀
G	11	15	17	21	23.5
H	10.5	13	16	20	22.5

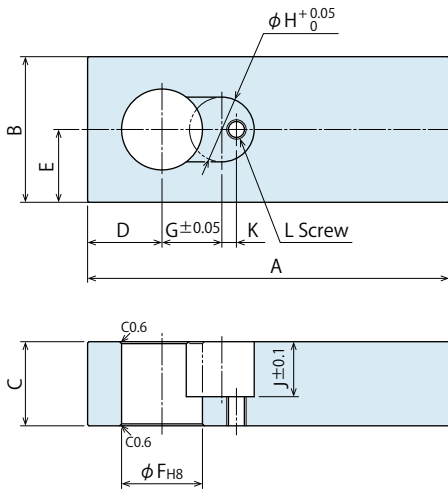
Notes :

1. Material : S50CH
2. If necessary, the front end should be additionally machined.
3. When phasing refer to Taper Lock Lever Design Dimensions for additional machining.
- ※6. Refer to Accessory of Quick Change Lever Type A for -A (Quick Change Lever Type A). Refer to Accessory of Quick Change Lever Type F for -F (Quick Change Lever Type F). For -P (Balance Lever Option), it should be designed by customer.

Accessories : Material Swing Lever for Quick Change Lever Type A

Model No. Indication

LZH 040 0 - A
 Size (Refer to the table.) Design No. (Revision Number)



(mm)

Model No.	LZH0300-A	LZH0360-A	LZH0400-A	LZH0480-A	LZH0550-A
Corresponding Model No.	LHE0300-□□□-A	LHE0360-□□□-A	LHE0400-□□□-A	LHE0480-□□□-A	LHE0550-□□□-A
A	90	120	145	160	170
B	21	26	32	40	45
C	14	17	19	23	26
D	10.5	13	16	20	23
E	10.5	13	16	20	22.5
F	12 + ^{0.027} / ₀	15 + ^{0.027} / ₀	18 + ^{0.027} / ₀	22 + ^{0.033} / ₀	25 + ^{0.033} / ₀
G	10.75	12.5	15	16.5	18.5
H	10.5	12	15	18	20
J	9.5	11	13	15.5	17
K	1.25	2	2.5	4	4.5
L	M4×0.7	M4×0.7	M5×0.8	M5×0.8	M6×1

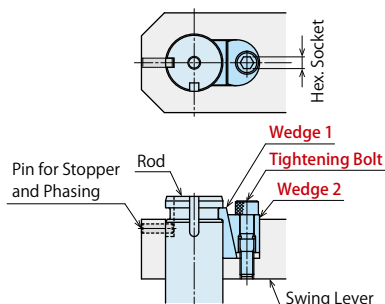
Notes :

1. Material : S50CH
2. If necessary, the front end should be additionally machined.
3. The pin hole for stopper and lever phasing should be additionally machined by referring to Quick Change Lever Type A Design Dimensions.
4. Tightening Kit (LZH□-W) for Quick Change Lever Type A is sold separately.

Accessories : Tightening Kit for Quick Change Lever Type A

Model No. Indication

LZH 040 0 - W
 Size (Refer to the table.) Design No. (Revision Number)



Tightening Kit for mounting Quick Change Lever Type A.
 Sold separately from clamp body.

【Contents of Tightening Kit】

- Wedge 1 • Wedge 2 • Tightening Bolt

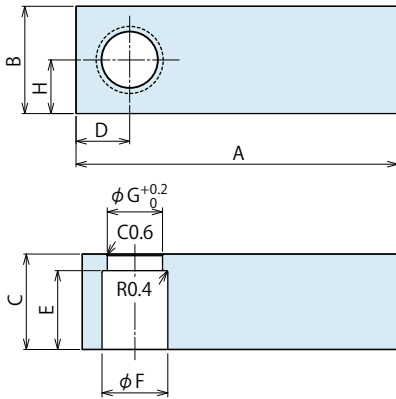
Model No.	LZH0300-W	LZH0360-W	LZH0400-W	LZH0480-W	LZH0550-W	
Corresponding Model No.	LHE0300-□□□-A	LHE0360-□□□-A	LHE0400-□□□-A	LHE0480-□□□-A	LHE0550-□□□-A	
Nominal×Pitch of Tightening Bolt	M4×0.7	M4×0.7	M5×0.8	M5×0.8	M6×1	
Hex. Socket	mm	3	3	4	4	5
Tightening Torque	N·m	2.5	2.5	5.0	5.0	8.0



Accessories : Material Swing Lever for Taper Lock Option

Model No. Indication

LZH 048 0 - T
 Size (Refer to the table.) Design No. (Revision Number)



Model No.	LZH0360 -T	LZH0400 -T	LZH0480 -T	LZH0550 -T	LZH0650 -T	LZH0750 -T	LZH0900 -T	LZH1050 -T
Corresponding Model No.※1	LHS0360	LHS0400	LHS0480	LHS0550	LHS0650	LHS0750	LHS0900	LHS1050
A	120	145	160	170	175	185	220	270
B	26	32	40	45	50	58	75	90
C	17	19	23	26	29	35	43	50
D	13	16	20	23	25	29	38	45
E	14	16	19	22	25	31	38	44
F	17	20	25	28	34	40	49	60
G	15	17	21	23.5	29	33	42	51
H	13	16	20	22.5	25	29	37.5	45

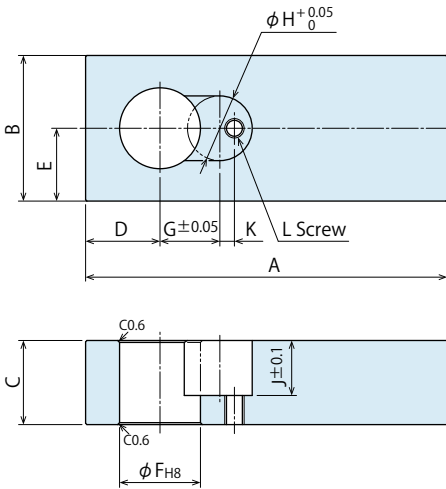
Notes :

1. Material : S50CH
2. If necessary, the front end should be additionally machined.
3. When determining the phase, refer to taper lock lever design dimensions for each model for the additional machining.
- ※1. Refer to Accessory of Quick Change Lever Type A for -A (Quick Change Lever Type A). Refer to Accessory of Quick Change Lever Type F for -F (Quick Change Lever Type F). For -P (Balance Lever Option), it should be designed by customer.

Accessories : Material Swing Lever for Quick Change Lever Type A

Model No. Indication

LZH 048 0 - A
 Size (Refer to the table.) Design No. (Revision Number)



Model No.	LZH0360 -A	LZH0400 -A	LZH0480 -A	LZH0550 -A	LZH0650 -A	LZH0750 -A	LZH0900 -A	LZH1050 -A
Corresponding Model No.	LHS0360 -□□-A	LHS0400 -□□-A	LHS0480 -□□-A	LHS0550 -□□-A	LHS0650 -□□-A	LHS0750 -□□-A	LHS0900 -□□-A	LHS1050 -□□-A
A	120	145	160	170	175	185	220	270
B	26	32	40	45	50	58	75	90
C	17	19	23	26	29	35	43	50
D	13	16	20	23	25	29	38	45
E	13	16	20	22.5	25	29	37.5	45
F	15 ^{+0.027}	18 ^{+0.027}	22 ^{+0.033}	25 ^{+0.033}	30 ^{+0.033}	35.5 ^{+0.039}	45 ^{+0.039}	55 ^{+0.046}
G	12.5	15	16.5	18.5	20.5	25	31	33.5
H	12	15	18	20	24	28	36	46
J	11	13	15.5	17	19	21	28	33
K	2	2.5	4	4.5	6.5	6.5	9	14
L	M4×0.7	M5×0.8	M5×0.8	M6×1	M6×1	M8×1.25	M10×1.5	M10×1.5

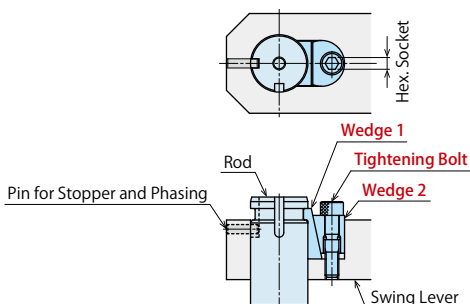
Notes :

1. Material : S50CH
2. If necessary, the front end should be additionally machined.
3. The pin hole for stopper and lever phasing should be additionally machined by referring to Quick Change Lever Type A Design Dimensions.
4. Tightening Kit (LZH□-W) for Quick Change Lever Type A is sold separately.

Accessories : Tightening Kit for Quick Change Lever Type A

Model No. Indication

LZH 048 0 - W
 Size (Refer to the table.) Design No. (Revision Number)



Tightening Kit for mounting Quick Change Lever Type A.
 Sold separately from clamp body.

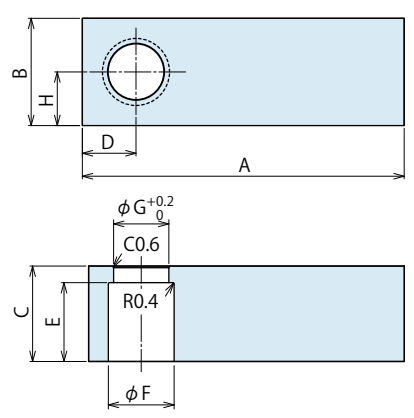
【Contents of Tightening Kit】

- Wedge 1 • Wedge 2 • Tightening Bolt

Model No.	LZH0360 -W	LZH0400 -W	LZH0480 -W	LZH0550 -W	LZH0650 -W	LZH0750 -W	LZH0900 -W	LZH1050 -W
Corresponding Model No.	LHS0360 -□□-A	LHS0400 -□□-A	LHS0480 -□□-A	LHS0550 -□□-A	LHS0650 -□□-A	LHS0750 -□□-A	LHS0900 -□□-A	LHS1050 -□□-A
Nominal×Pitch of Tightening Bolt	M4×0.7	M5×0.8	M5×0.8	M6×1	M6×1	M8×1.25	M10×1.5	M10×1.5
Hex. Socket mm	3	4	4	5	5	6	8	8
Tightening Torque N·m	2.5	5.0	5.0	8.0	8.0	20	40	45

● Accessories : Material Swing Lever for Taper Lock Option

Model No. Indication
LZH 048 0 - T
Size (Refer to the table.) Design No. (Revision Number)

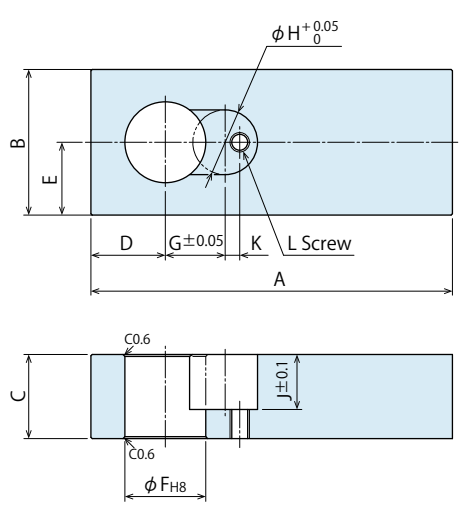


Model No.	(mm)				
	LZH0400 -T	LZH0480 -T	LZH0550 -T	LZH0650 -T	LZH0750 -T
Corresponding Model No. ^{※5}	LHW0401	LHW0481	LHW0551	LHW0651	LHW0751
A	145	160	170	175	185
B	32	40	45	50	58
C	19	23	26	29	35
D	16	20	23	25	29
E	16	19	22	25	31
F	20	25	28	34	40
G	17	21	23.5	29	33
H	16	20	22.5	25	29

- Notes :
1. Material : S50CH
 2. If necessary, the front end should be additionally machined.
 3. When determining the phase, refer to taper lock lever design dimensions for each model for the additional machining.
- ※5. Refer to Accessory of Quick Change Lever Type A for -A (Quick Change Lever Type A).

● Accessories : Material Swing Lever for Quick Change Lever Type A

Model No. Indication
LZH 048 0 - A
Size (Refer to the table.) Design No. (Revision Number)

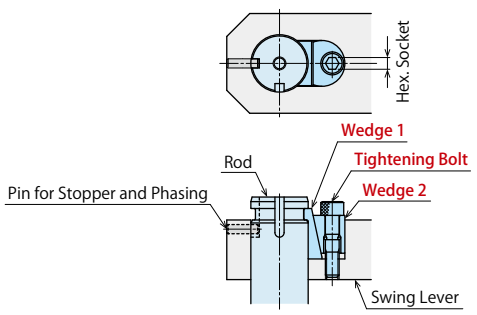


Model No.	(mm)				
	LZH0400 -A	LZH0480 -A	LZH0550 -A	LZH0650 -A	LZH0750 -A
Corresponding Model No.	LHW0401 -□□□-A	LHW0481 -□□□-A	LHW0551 -□□□-A	LHW0651 -□□□-A	LHW0751 -□□□-A
A	145	160	170	175	185
B	32	40	45	50	58
C	19	23	26	29	35
D	16	20	23	25	29
E	16	20	22.5	25	29
F	18 ^{+0.027}	22 ^{+0.033}	25 ^{+0.033}	30 ^{+0.033}	35.5 ^{+0.039}
G	15	16.5	18.5	20.5	25
H	15	18	20	24	28
J	13	15.5	17	19	21
K	2.5	4	4.5	6.5	6.5
L	M5×0.8	M5×0.8	M6×1	M6×1	M8×1.25

- Notes :
1. Material : S50CH
 2. If necessary, the front end should be additionally machined.
 3. The pin hole for stopper and lever phasing should be additionally machined by referring to Quick Change Lever Type A Design Dimensions.
 4. Tightening Kit (LZH□-W) for Quick Change Lever Type A is sold separately.

● Accessories : Tightening Kit for Quick Change Lever Type A

Model No. Indication
LZH 048 0 - W
Size (Refer to the table.) Design No. (Revision Number)



Tightening Kit for mounting Quick Change Lever Type A.
Sold separately from clamp body.

- 【Contents of Tightening Kit】
• Wedge 1 • Wedge 2 • Tightening Bolt

Model No.	(mm)				
	LZH0400 -W	LZH0480 -W	LZH0550 -W	LZH0650 -W	LZH0750 -W
Corresponding Model No.	LHW0401 -□□□-A	LHW0481 -□□□-A	LHW0551 -□□□-A	LHW0651 -□□□-A	LHW0751 -□□□-A
Nominal×Pitch of Tightening Bolt	M5×0.8	M5×0.8	M6×1	M6×1	M8×1.25
Hex. Socket mm	4	4	5	5	6
Tightening Torque N·m	5.0	5.0	8.0	8.0	20

High-Power Series

Pneumatic Series

Hydraulic Series

Valve / Coupler Hydraulic Unit

Manual Operation Accessories

Cautions / Others

Hole Clamp

SFA

SFC

Swing Clamp

LHA

LHC

LHS

LHW

LT/LG

TLA-2

TLB-2

TLA-1

Link Clamp

LKA

LKC

LKW

LM/LJ

TMA-2

TMA-1

Work Support

LD

LC

TNC

TC

Air Sensing Lift Cylinder

LLW

Compact Cylinder

LL

LLR

LLU

DP

DR

DS

DT

Block Cylinder

DBA

DBC

Centering Vise

FVA

FVD

FVC

Control Valve

BZL

BZT

BZX/JZG

Pallet Clamp

VS

VT

Expansion Locating Pin

VFL

VFM

VFJ

VFK

Pull Stud Clamp

FP

FQ

Customized Spring Cylinder

DWA/DWB