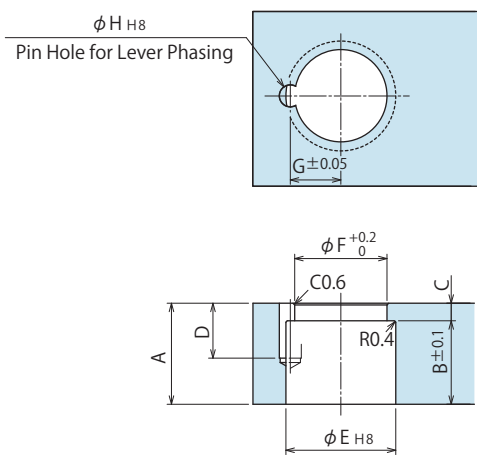
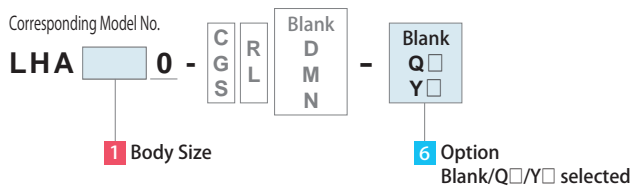


### Taper Lock Lever Design Dimensions

※ Reference for designing taper lock swing lever.



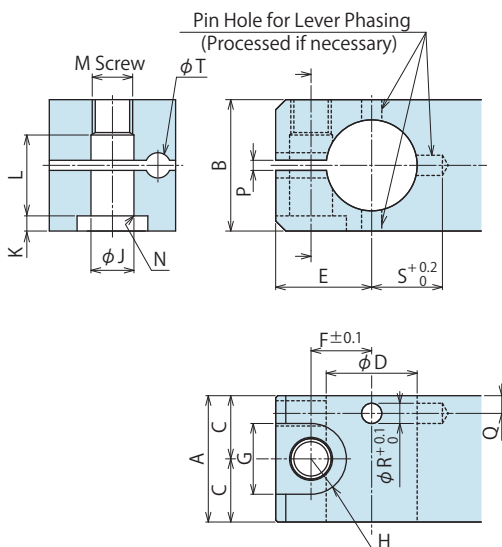
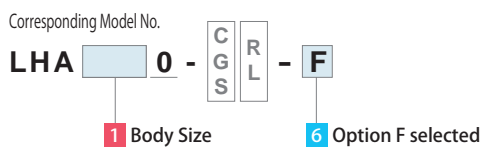
Corresponding Model No. <sup>※1</sup>	LHA0360	LHA0400	LHA0480	LHA0550	LHA0650	LHA0750	LHA0900	LHA1050
A	17	19	23	26	29	35	43	50
B	14	16	19	22	25	31	38	44
C	3	3	4	4	4	4	5	6
D	10.5	10.5	12.5	14.5	16.5	17.5	17.5	20.5
E	17 <sup>+0.027</sup>	20 <sup>+0.033</sup>	25 <sup>+0.033</sup>	28 <sup>+0.033</sup>	34 <sup>+0.039</sup>	40 <sup>+0.039</sup>	49 <sup>+0.039</sup>	60 <sup>+0.046</sup>
F	15	17	21	23.5	29	33	42	51
G	8	9	11.5	13	15.5	18	22.5	28
H	4 <sup>+0.018</sup>	4 <sup>+0.018</sup>	5 <sup>+0.018</sup>	6 <sup>+0.018</sup>	6 <sup>+0.018</sup>	8 <sup>+0.022</sup>	8 <sup>+0.022</sup>	10 <sup>+0.022</sup>
Phasing Pin (Reference)	φ4(h8)×10	φ4(h8)×10	φ5(h8)×12	φ6(h8)×14	φ6(h8)×16	φ8(h8)×16	φ8(h8)×16	φ10(h8)×20

Notes

- Swing lever should be designed with its length according to performance graph shown on P.293.
  - If the swing lever is not in accordance with the dimension shown above, performance may be degraded and damage can occur.
  - The pin hole (φH) for determining the lever phase should be added, if necessary.
- ※1. Please refer to the swing lever design dimension for quick change lever that is described below when -F option (quick change lever option) is used. Please make self preparation, when P option is chosen (balance lever option).

### Quick-Change Lever Design Dimensions

※ Reference for designing quick change swing lever.



Corresponding Model No. <sup>※1</sup>	LHA0360 -□□-F	LHA0400 -□□-F	LHA0480 -□□-F	LHA0550 -□□-F	LHA0650 -□□-F	LHA0750 -□□-F	LHA0900 -□□-F	LHA1050 -□□-F
A	22	25	30	34	40	46	55	60
B	22	26	32	36	45	53	70	82
C	11	12.5	15	17	20	23	27.5	30
D	15 <sup>0</sup> <sub>-0.016</sub>	18 <sup>0</sup> <sub>-0.016</sub>	22 <sup>0</sup> <sub>-0.020</sub>	25 <sup>0</sup> <sub>-0.020</sub>	30 <sup>0</sup> <sub>-0.020</sub>	35.5 <sup>0</sup> <sub>-0.025</sub>	45 <sup>0</sup> <sub>-0.025</sub>	55 <sup>0</sup> <sub>-0.030</sub>
E	15	19	23	26.5	31.5	36.5	46	55
F	9.75	12	14.75	17	20	23.5	29.75	36
G	11	14	17.5	20	23	26	32	39
H	R5.5	R7	R8.75	R10	R11.5	R13	R16	R19.5
J	6.5	8.5	10.5	12.5	14.5	16.5	21	25
K	2	3	4	4	5	7	9	11
L	13.5	16	18	22	26.5	31	42	46
M	M6×1	M8×1	M10×1.25	M12×1.5	M14×1.5	M16×1.5	M20×2	M24×2
N	C0.4	C0.6	C0.6	C1	C1	C1	C1	C1
P	2	2	2	2	2	2	2	2
Q	2.5	3.5	3.5	4	5.5	5.5	7.5	8
R	3	4	4	4	6	6	8	8
S	13.5	14	18	19.5	24.5	27.75	38	45
T	3.4	4.5	4.5	4.5	6.5	6.5	9	9
Phasing Pin (Reference)	φ3×8	φ4×8	φ4×10	φ4×10	φ6×14	φ6×14	φ8×20	φ8×22

Notes

- Swing lever should be designed with its length according to performance graph shown on P.293.
- If the swing lever is not in accordance with the dimension shown above, performance may be degraded and damage can occur.
- The pin hole (φR) for determining the lever phase should be added, if necessary.
- Sells the tightening bolt (LZH□0-B) for lever separately.

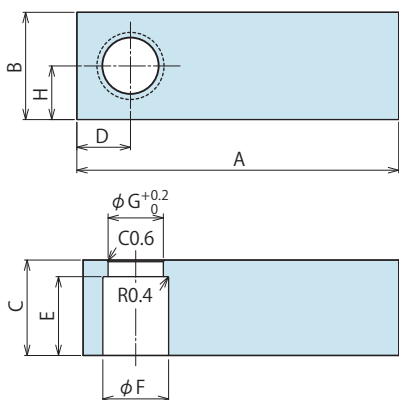
● Accessories : Material Swing Lever for Taper Lock Option

Model No. Indication

**LZH 048 0 - T**

Size (Refer to the graph on the right)

Design No. (Revision Number)



Model No.	LZH0360 -T	LZH0400 -T	LZH0480 -T	LZH0550 -T	LZH0650 -T	LZH0750 -T	LZH0900 -T	LZH1050 -T
Corresponding Model No. <sup>※2</sup>	LHA0360	LHA0400	LHA0480	LHA0550	LHA0650	LHA0750	LHA0900	LHA1050
A	120	145	160	170	175	185	220	270
B	26	32	40	45	50	58	75	90
C	17	19	23	26	29	35	43	50
D	13	16	20	23	25	29	38	45
E	14	16	19	22	25	31	38	44
F	17	20	25	28	34	40	49	60
G	15	17	21	23.5	29	33	42	51
H	13	16	20	22.5	25	29	37.5	45

Notes

1. Material : S50CH
2. If necessary, the front end should be additionally machined.
3. When determining the phase, refer to taper lock lever design dimensions for each model for the additional machining.
- ※2. Please refer to the accessory for quick change lever option when 'F' option (quick change lever option) is used.  
Please make self preparation, when P option is chosen (balance lever option).

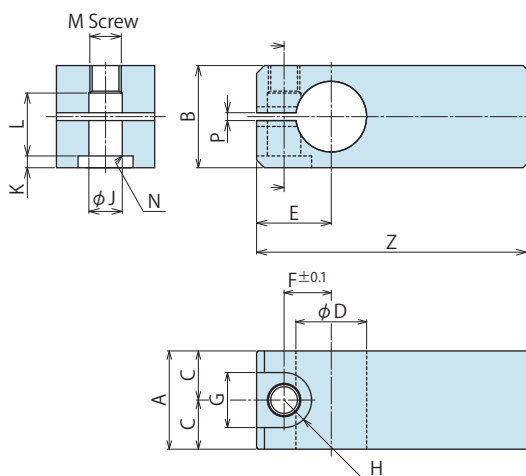
● Accessories : Material Swing Lever for Quick Change Option

Model No. Indication

**LZH 048 0 - F**

Size (Refer to the graph on the right)

Design No. (Revision Number)



Model No.	LZH0360 -F	LZH0400 -F	LZH0480 -F	LZH0550 -F	LZH0650 -F	LZH0750 -F	LZH0900 -F	LZH1050 -F
Corresponding Model No.	LHA0360 -□□-F	LHA0400 -□□-F	LHA0480 -□□-F	LHA0550 -□□-F	LHA0650 -□□-F	LHA0750 -□□-F	LHA0900 -□□-F	LHA1050 -□□-F
A	22	25	30	34	40	46	55	60
B	22	26	32	36	45	53	70	82
C	11	12.5	15	17	20	23	27.5	30
D	15 <sup>-0.016</sup>	18 <sup>-0.016</sup>	22 <sup>0-0.020</sup>	25 <sup>-0.020</sup>	30 <sup>-0.020</sup>	35.5 <sup>-0.025</sup>	45 <sup>-0.025</sup>	55 <sup>0-0.030</sup>
E	15	19	23	26.5	31.5	36.5	46	55
F	9.75	12	14.75	17	20	23.5	29.75	36
G	11	14	17.5	20	23	26	32	39
H	R5.5	R7	R8.75	R10	R11.5	R13	R16	R19.5
J	6.5	8.5	10.5	12.5	14.5	16.5	21	25
K	2	3	4	4	5	7	9	11
L	13.5	16	18	22	26.5	31	42	46
M	M6×1	M8×1	M10×1.25	M12×1.5	M14×1.5	M16×1.5	M20×2	M24×2
N	C0.4	C0.6	C0.6	C1	C1	C1	C1	C1
P	2	2	2	2	2	2	2	2
Z	120	145	160	170	175	185	220	270

Notes

1. Material : S50CH
2. If necessary, the front end should be additionally processed.
3. When determining the phase, refer to quick change lever design dimensions for each model for the additional machining.
4. Sells the tightening bolt (LZH□□0-B) for lever separately.

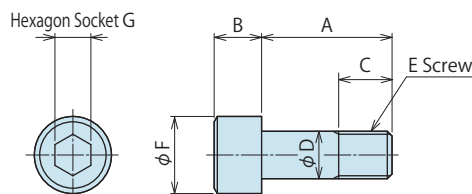
● Accessories : Tightening Bolts for Quick Change Lever

Model No. Indication

**LZH 048 0 - B**

Size (Refer to the graph on the right)

Design No. (Revision Number)



Model No.	LZH0360 -B	LZH0400 -B	LZH0480 -B	LZH0550 -B	LZH0650 -B	LZH0750 -B	LZH0900 -B	LZH1050 -B
Corresponding Model No.	LHA0360 -□□-F	LHA0400 -□□-F	LHA0480 -□□-F	LHA0550 -□□-F	LHA0650 -□□-F	LHA0750 -□□-F	LHA0900 -□□-F	LHA1050 -□□-F
A	20	23	28	32	40	46	61	71
B	6	8	10	12	14	16	20	24
C	7	10	11	13	16	18	23	27
D	6	8	10	12	14	16	20	24
E	M6×1	M8×1	M10×1.25	M12×1.5	M14×1.5	M16×1.5	M20×2	M24×2
F	10	13	16	18	21	24	30	36
G	5	6	8	10	12	14	17	19

High-Power Series

Pneumatic Series

**Hydraulic Series**

Valve / Coupler Hydraulic Unit

Manual Operation Accessories

Cautions / Others

Hole Clamp

SFA

SFC

**Swing Clamp**

LHA

LHC

LHS

LHW

LT/LG

TLA-2

TLB-2

TLA-1

Link Clamp

LKA

LKC

LKW

LM/LJ

TMA-2

TMA-1

Work Support

LD

LC

TNC

TC

Air Sensing Lift Cylinder

LLW

Compact Cylinder

LL

LLR

LLU

DP

DR

DS

DT

Block Cylinder

DBA

DBC

Control Valve

BZL

BZT

BZX/JZG

Pallet Clamp

VS

VT

Expansion Locating Pin

VL

VM

VJ

VK

Pull Stud Clamp

FP

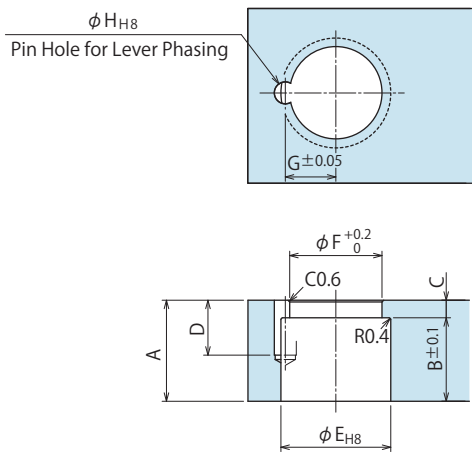
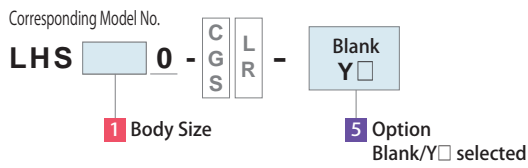
FQ

Customized Spring Cylinder

DWA/DWB

### Taper Lock Lever Design Dimensions

※ Reference for designing taper lock swing lever.



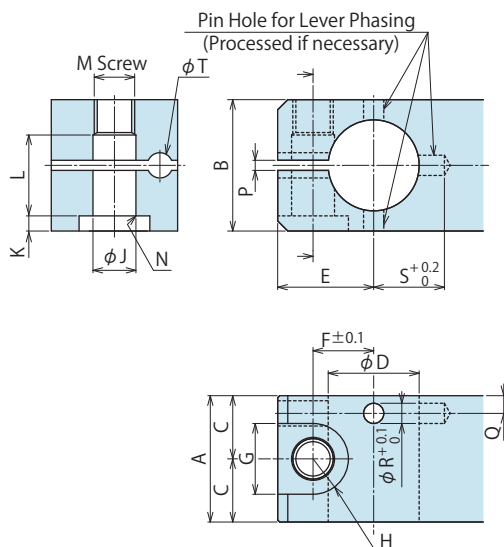
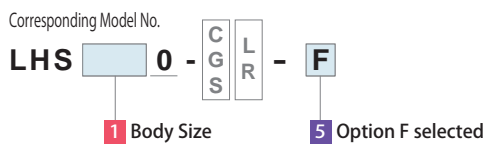
Corresponding Model No. #1	LHS0360	LHS0400	LHS0480	LHS0550	LHS0650	LHS0750	LHS0900	LHS1050
A	17	19	23	26	29	35	43	50
B	14	16	19	22	25	31	38	44
C	3	3	4	4	4	4	5	6
D	10.5	10.5	12.5	14.5	16.5	17.5	17.5	20.5
E	$17^{+0.027}_0$	$20^{+0.033}_0$	$25^{+0.033}_0$	$28^{+0.033}_0$	$34^{+0.039}_0$	$40^{+0.039}_0$	$49^{+0.039}_0$	$60^{+0.046}_0$
F	15	17	21	23.5	29	33	42	51
G	8	9	11.5	13	15.5	18	22.5	28
H	$4^{+0.018}_0$	$4^{+0.018}_0$	$5^{+0.018}_0$	$6^{+0.018}_0$	$6^{+0.018}_0$	$8^{+0.022}_0$	$8^{+0.022}_0$	$10^{+0.022}_0$
Phasing Pin (Reference)	$\phi 4(h8) \times 10$	$\phi 4(h8) \times 10$	$\phi 5(h8) \times 12$	$\phi 6(h8) \times 14$	$\phi 6(h8) \times 16$	$\phi 8(h8) \times 16$	$\phi 8(h8) \times 16$	$\phi 10(h8) \times 20$

Notes

- Swing lever should be designed with its length according to performance graph shown on P.335,P.336.
  - If the swing lever is not in accordance with the dimension shown above, performance may be degraded and damage can occur.
  - The pin hole ( $\phi H$ ) for determining the lever phase should be added, if necessary.
- ※1. Please refer to the swing lever design dimension for quick change lever option that is described below when -F option (quick change lever option) is used. Please make self preparation, when P option is chosen (balance lever option).

### Quick-Change Lever Design Dimensions

※ Reference for designing quick change swing lever.



Corresponding Model No.	LHS0360 -□□-F	LHS0400 -□□-F	LHS0480 -□□-F	LHS0550 -□□-F	LHS0650 -□□-F	LHS0750 -□□-F	LHS0900 -□□-F	LHS1050 -□□-F
A	22	25	30	34	40	46	55	60
B	22	26	32	36	45	53	70	82
C	11	12.5	15	17	20	23	27.5	30
D	$15^{+0.016}_0$	$18^{+0.016}_0$	$22^{+0.020}_0$	$25^{+0.020}_0$	$30^{+0.020}_0$	$35.5^{+0.025}_0$	$45^{+0.025}_0$	$55^{+0.030}_0$
E	15	19	23	26.5	31.5	36.5	46	55
F	9.75	12	14.75	17	20	23.5	29.75	36
G	11	14	17.5	20	23	26	32	39
H	R5.5	R7	R8.75	R10	R11.5	R13	R16	R19.5
J	6.5	8.5	10.5	12.5	14.5	16.5	21	25
K	2	3	4	4	5	7	9	11
L	13.5	16	18	22	26.5	31	42	46
M	M6×1	M8×1	M10×1.25	M12×1.5	M14×1.5	M16×1.5	M20×2	M24×2
N	C0.4	C0.6	C0.6	C1	C1	C1	C1	C1
P	2	2	2	2	2	2	2	2
Q	2.5	3.5	3.5	4	5.5	5.5	7.5	8
R	3	4	4	4	6	6	8	8
S	13.5	14	18	19.5	24.5	27.75	38	45
T	3.4	4.5	4.5	4.5	6.5	6.5	9	9
Phasing Pin (Reference)	$\phi 3 \times 8$	$\phi 4 \times 8$	$\phi 4 \times 10$	$\phi 4 \times 10$	$\phi 6 \times 14$	$\phi 6 \times 14$	$\phi 8 \times 20$	$\phi 8 \times 22$

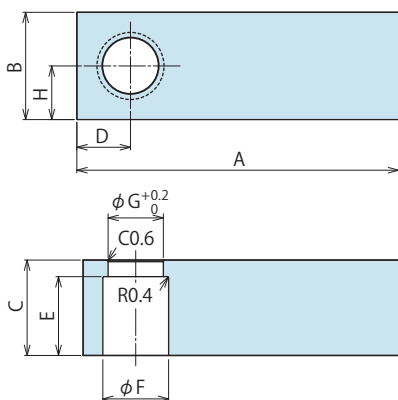
Notes

- Swing lever should be designed with its length according to performance graph shown on P.335,P.336.
- If the swing lever is not in accordance with the dimension shown above, performance may be degraded and damage can occur.
- The pin hole ( $\phi R$ ) for determining the lever phase should be added, if necessary.
- Sells the tightening bolt (LZH□0-B) for lever separately.

● Accessories : Material Swing Lever for Taper Lock Option

Model No. Indication

**LZH 048 0 - T**  
Size (Refer to the graph on the right) Design No. (Revision Number)



Model No.	LZH0360 -T	LZH0400 -T	LZH0480 -T	LZH0550 -T	LZH0650 -T	LZH0750 -T	LZH0900 -T	LZH1050 -T
Corresponding Model No. <sup>※2</sup>	LHS0360	LHS0400	LHS0480	LHS0550	LHS0650	LHS0750	LHS0900	LHS1050
A	120	145	160	170	175	185	220	270
B	26	32	40	45	50	58	75	90
C	17	19	23	26	29	35	43	50
D	13	16	20	23	25	29	38	45
E	14	16	19	22	25	31	38	44
F	17	20	25	28	34	40	49	60
G	15	17	21	23.5	29	33	42	51
H	13	16	20	22.5	25	29	37.5	45

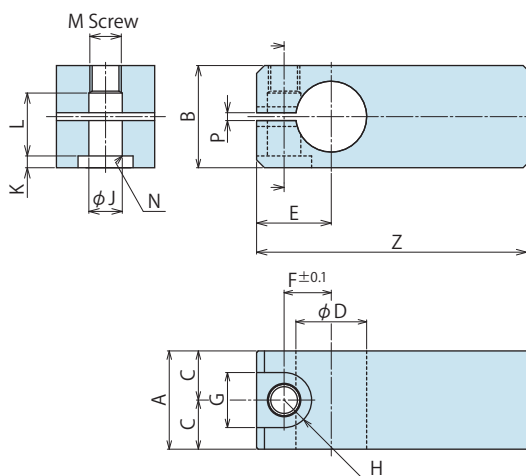
Notes

1. Material : S50CH
2. If necessary, the front end should be additionally machined.
3. When determining the phase, refer to taper lock lever design dimensions for each model for the additional machining.
- ※2. Please refer to the accessory for quick change lever option when "F" option (quick change lever option) is used.  
Please make self preparation, when P option is chosen (balance lever option).

● Accessories : Material Swing Lever for Quick Change Option

Model No. Indication

**LZH 048 0 - F**  
Size (Refer to the graph on the right) Design No. (Revision Number)



Model No.	LZH0360 -F	LZH0400 -F	LZH0480 -F	LZH0550 -F	LZH0650 -F	LZH0750 -F	LZH0900 -F	LZH1050 -F
Corresponding Model No.	LHS0360 -□□-F	LHS0400 -□□-F	LHS0480 -□□-F	LHS0550 -□□-F	LHS0650 -□□-F	LHS0750 -□□-F	LHS0900 -□□-F	LHS1050 -□□-F
A	22	25	30	34	40	46	55	60
B	22	26	32	36	45	53	70	82
C	11	12.5	15	17	20	23	27.5	30
D	15 <sup>-0.016</sup>	18 <sup>-0.016</sup>	22 <sup>-0.020</sup>	25 <sup>-0.020</sup>	30 <sup>-0.020</sup>	35.5 <sup>-0.025</sup>	45 <sup>-0.025</sup>	55 <sup>-0.030</sup>
E	15	19	23	26.5	31.5	36.5	46	55
F	9.75	12	14.75	17	20	23.5	29.75	36
G	11	14	17.5	20	23	26	32	39
H	R5.5	R7	R8.75	R10	R11.5	R13	R16	R19.5
J	6.5	8.5	10.5	12.5	14.5	16.5	21	25
K	2	3	4	4	5	7	9	11
L	13.5	16	18	22	26.5	31	42	46
M	M6×1	M8×1	M10×1.25	M12×1.5	M14×1.5	M16×1.5	M20×2	M24×2
N	C0.4	C0.6	C0.6	C1	C1	C1	C1	C1
P	2	2	2	2	2	2	2	2
Z	120	145	160	170	175	185	220	270

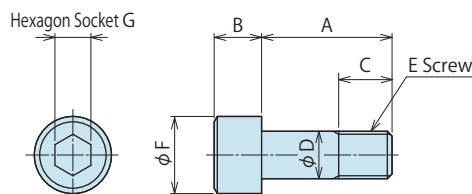
Notes

1. Material : S50CH
2. If necessary, the front end should be additionally machined.
3. For the phase determination, the design dimensions of swinging lever should be additionally machined with reference of the quick change option (-F).
4. Sells the tightening bolt (LZH□□0-B) for lever separately.

● Accessories : Tightening Bolts for Quick Change Lever

Model No. Indication

**LZH 048 0 - B**  
Size (Refer to the graph on the right) Design No. (Revision Number)



Model No.	LZH0360 -B	LZH0400 -B	LZH0480 -B	LZH0550 -B	LZH0650 -B	LZH0750 -B	LZH0900 -B	LZH1050 -B
Corresponding Model No.	LHS0360 -□□-F	LHS0400 -□□-F	LHS0480 -□□-F	LHS0550 -□□-F	LHS0650 -□□-F	LHS0750 -□□-F	LHS0900 -□□-F	LHS1050 -□□-F
A	20	23	28	32	40	46	61	71
B	6	8	10	12	14	16	20	24
C	7	10	11	13	16	18	23	27
D	6	8	10	12	14	16	20	24
E	M6×1	M8×1	M10×1.25	M12×1.5	M14×1.5	M16×1.5	M20×2	M24×2
F	10	13	16	18	21	24	30	36
G	5	6	8	10	12	14	17	19

High-Power Series

Pneumatic Series

Hydraulic Series

Valve / Coupler Hydraulic Unit

Manual Operation Accessories

Cautions / Others

Hole Clamp

SFA

SFC

Swing Clamp

LHA

LHC

LHS

LHW

LT/LG

TLA-2

TLB-2

TLA-1

Link Clamp

LKA

LKC

LKW

LM/LJ

TMA-2

TMA-1

Work Support

LD

LC

TNC

TC

Air Sensing Lift Cylinder

LLW

Compact Cylinder

LL

LLR

LLU

DP

DR

DS

DT

Block Cylinder

DBA

DBC

Control Valve

BZL

BZT

BZX/JZG

Pallet Clamp

VS

VT

Expansion Locating Pin

VL

VM

VJ

VK

Pull Stud Clamp

FP

FQ

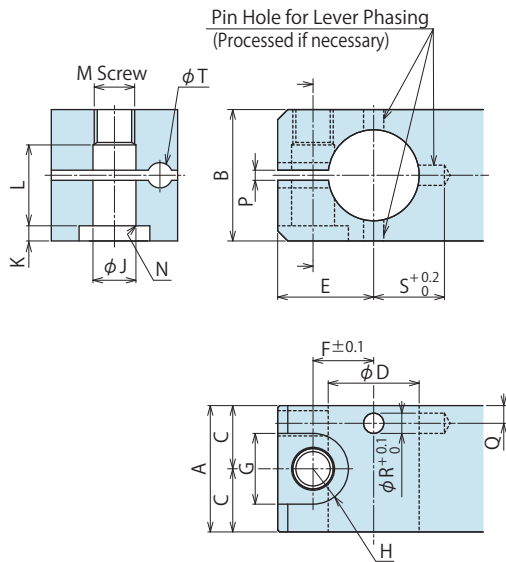
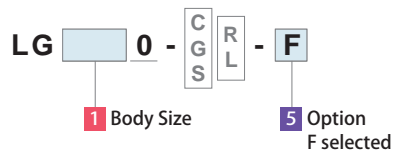
Customized Spring Cylinder

DWA/DWB

**Quick Change Lever Design Dimensions**

※ Reference for designing quick change swing lever.

Corresponding Model No.



		(mm)						
Corresponding Model No. ※1	LT0360-F	LT0400-F	LT0480-F	LT0550-F	LT0650-F	LT0750-F	LG0900-F	LG1050-F
A	22	25	30	34	40	46	55	60
B	22	26	32	36	45	53	70	82
C	11	12.5	15	17	20	23	27.5	30
D	15 <sup>0</sup> <sub>-0.016</sub>	18 <sup>0</sup> <sub>-0.016</sub>	22 <sup>0</sup> <sub>-0.020</sub>	25 <sup>0</sup> <sub>-0.020</sub>	30 <sup>0</sup> <sub>-0.020</sub>	35.5 <sup>0</sup> <sub>-0.025</sub>	45 <sup>0</sup> <sub>-0.025</sub>	55 <sup>0</sup> <sub>-0.030</sub>
E	15	19	23	26.5	31.5	36.5	46	55
F	9.75	12	14.75	17	20	23.5	29.75	36
G	11	14	17.5	20	23	26	32	39
H	R5.5	R7	R8.75	R10	R11.5	R13	R16	R19.5
J	6.5	8.5	10.5	12.5	14.5	16.5	21	25
K	2	3	4	4	5	7	9	11
L	13.5	16	18	22	26.5	31	42	46
M	M6×1	M8×1	M10×1.25	M12×1.5	M14×1.5	M16×1.5	M20×2	M24×2
N	C0.4	C0.6	C0.6	C1	C1	C1	C1	C1
P	2	2	2	2	2	2	2	2
Q	2.5	3.5	3.5	4	5.5	5.5	7.5	8
R	3	4	4	4	6	6	8	8
S	13.5	14	18	19.5	24.5	27.75	38	45
T	3.4	4.5	4.5	4.5	6.5	6.5	9	9
Phasing Pin (Reference)	φ3×8	φ4×8	φ4×10	φ4×10	φ6×14	φ6×14	φ8×20	φ8×22

Notes

1. Swing lever should be designed with its length according to performance graph shown on P.371,P.372.
  2. If the swing lever is not in accordance with the dimension shown above, performance may be degraded and damage can occur.
- ※1. Please refer to the swing lever design dimension for taper lock lever option when standard model or -Y option (Swing Angle Selectable option) is used (P.383). Please make self preparation, when P option is chosen (balance lever option)(P.379).

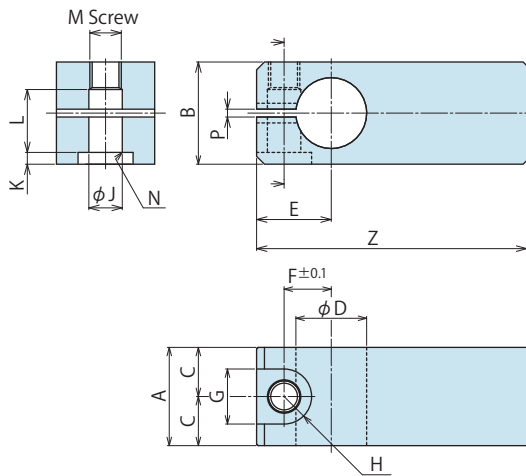
● Accessories : Material Swing Lever for Quick Change Option

Model No. Indication

**LZH 040 0 - F**

Size (Refer to the graph on the right)

Design No. (Revision Number)



Model No.	LZH0360 -F	LZH0400 -F	LZH0480 -F	LZH0550 -F	LZH0650 -F	LZH0750 -F	LZH0900 -F	LZH1050 -F
Corresponding Model No. <sup>※1</sup>	LT0360-F	LT0400-F	LT0480-F	LT0550-F	LT0650-F	LT0750-F	LG0900-F	LG1050-F
A	22	25	30	34	40	46	55	60
B	22	26	32	36	45	53	70	82
C	11	12.5	15	17	20	23	27.5	30
D	15 <sup>-0.016</sup>	18 <sup>-0.016</sup>	22 <sup>-0.020</sup>	25 <sup>-0.020</sup>	30 <sup>-0.020</sup>	35.5 <sup>-0.025</sup>	45 <sup>-0.025</sup>	55 <sup>-0.030</sup>
E	15	19	23	26.5	31.5	36.5	46	55
F	9.75	12	14.75	17	20	23.5	29.75	36
G	11	14	17.5	20	23	26	32	39
H	R5.5	R7	R8.75	R10	R11.5	R13	R16	R19.5
J	6.5	8.5	10.5	12.5	14.5	16.5	21	25
K	2	3	4	4	5	7	9	11
L	13.5	16	18	22	26.5	31	42	46
M	M6×1	M8×1	M10×1.25	M12×1.5	M14×1.5	M16×1.5	M20×2	M24×2
N	C0.4	C0.6	C0.6	C1	C1	C1	C1	C1
P	2	2	2	2	2	2	2	2
Z	120	145	160	170	175	185	220	270

Notes

1. Material : S50CH
  2. If necessary, the front end should be additionally machined.
  3. For the phase determination, the design dimensions of swinging lever should be additionally machined with reference of the quick change option.
- ※1. Please refer to the swing lever design dimension for taper lock lever option when standard model or -Y option (Swing Angle Selectable option) is used (P.383).

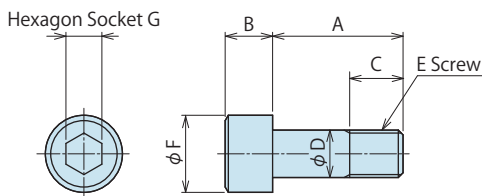
● Accessories : Tightening Bolts for Quick Change Lever

Model No. Indication

**LZH 040 0 - B**

Size (Refer to the graph on the right)

Design No. (Revision Number)



Model No.	LZH0360 -B	LZH0400 -B	LZH0480 -B	LZH0550 -B	LZH0650 -B	LZH0750 -B	LZH0900 -B	LZH1050 -B
Corresponding Model No.	LT0360-F	LT0400-F	LT0480-F	LT0550-F	LT0650-F	LT0750-F	LG0900-F	LG1050-F
A	20	23	28	32	40	46	61	71
B	6	8	10	12	14	16	20	24
C	7	10	11	13	16	18	23	27
D	6	8	10	12	14	16	20	24
E	M6×1	M8×1	M10×1.25	M12×1.5	M14×1.5	M16×1.5	M20×2	M24×2
F	10	13	16	18	21	24	30	36
G	5	6	8	10	12	14	17	19



WAHLTEC GmbH  
Ravensburger Str. 14  
88361 Altshausen  
T: +49 (7584) 9238883  
F: +49 (7584) 9238887

www.wahltec.de

- High-Power Series
- Pneumatic Series
- Hydraulic Series
- Valve / Coupler Hydraulic Unit
- Manual Operation Accessories
- Cautions / Others

- Hole Clamp
  - SFA
  - SFC

- Swing Clamp
  - LHA
  - LHC
  - LHS
  - LHW
  - LT/LG
    - TLA-2
    - TLB-2
    - TLA-1

- Link Clamp
  - LKA
  - LKC
  - LKW
  - LM/LJ
  - TMA-2
  - TMA-1

- Work Support
  - LD
  - LC
  - TNC
  - TC

- Air Sensing Lift Cylinder
  - LLW

- Compact Cylinder
  - LL
  - LLR
  - LLU
  - DP
  - DR
  - DS
  - DT

- Block Cylinder
  - DBA
  - DBC

- Control Valve
  - BZL
  - BZT
  - BZX/JZG

- Pallet Clamp
  - VS
  - VT

- Expansion Locating Pin
  - VL
  - VM
  - VJ
  - VK

- Pull Stud Clamp
  - FP
  - FQ

- Customized Spring Cylinder
  - DWA/DWB