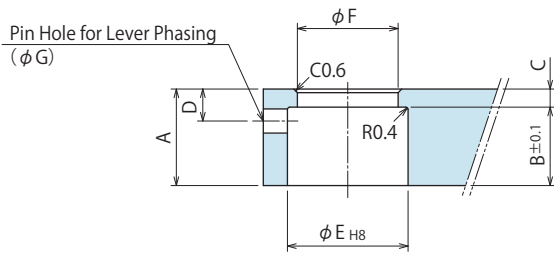
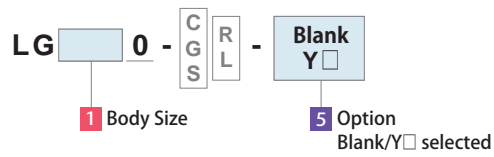
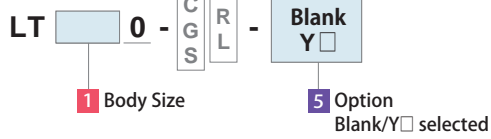


Taper Lock Lever Design Dimensions

※ Reference for designing taper lock swing lever.

Corresponding Model No.



Corresponding Model No. #1	LT0360	LT0400	LT0480	LT0550	LT0650	LT0750	LG0900	LG1050
A	12	16	19	25	25	32	38	45
B	9.5	13	15	21	21	27	33	39
C	2.5	3	4	4	4	5	5	6
D	4.3	5.3	6.3	6.3	7.5	8.5	9.5	10.5
E	17 ^{+0.027} ₀	20 ^{+0.033} ₀	25 ^{+0.033} ₀	28 ^{+0.033} ₀	34 ^{+0.039} ₀	40 ^{+0.039} ₀	49 ^{+0.039} ₀	60 ^{+0.046} ₀
F	13.9 ^{+0.15} ₀	16.7 ^{+0.15} ₀	20.6 ^{+0.15} ₀	23 ^{+0.15} ₀	28 ^{+0.15} ₀	32.9 ^{+0.20} ₀	41.8 ^{+0.20} ₀	51.2 ^{+0.20} ₀
G	3	4	4	4	6	6	8	8

Notes

1. Swing lever should be designed with its length according to performance graph shown on P.371,P.372.
 2. If the swing lever is not in accordance with the dimension shown above, performance may be degraded and damage can occur.
- ※1. Please refer to the swing lever design dimension for quick change lever type that is described below when -F type (quick change lever type) is used (P.385). Please make self preparation, when P type is chosen (balance lever type) (P.379).



WAHLTEC GmbH
 Ravensburger Str. 14
 88361 Altshausen
 T: +49 (7584) 9238883
 F: +49 (7584) 9238887

www.wahltec.de

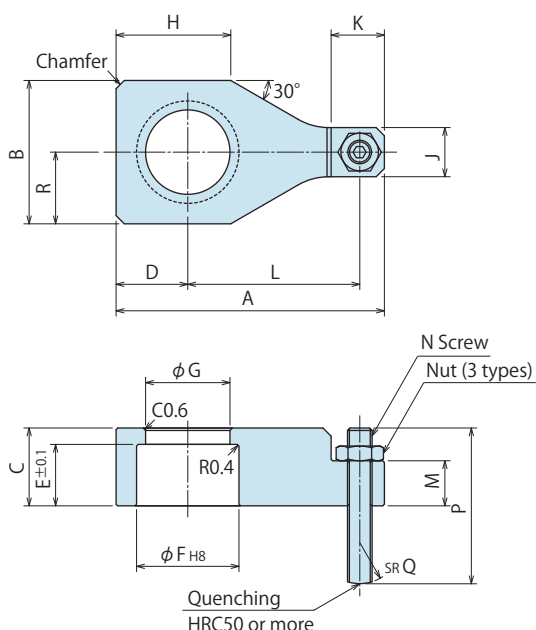
Accessories : Swing Lever for Taper Lock Option

Model No. Indication

LZ 040 0 - LE1

Size (Refer to the graph on the right)

Design No. (Revision Number)



Model No.	LZ0360 -LE1	LZ0400 -LE1	LZ0481 ^{※2} -LE1	LZ0550 -LE1	LZ0650 -LE1	LZ0750 -LE1	LZ0900 -LE1	LZ1050 -LE1
Corresponding Model No. ^{※1}	LT0360	LT0400	LT0480	LT0550	LT0650	LT0750	LG0900	LG1050
A	50	56.5	65.5	77	91.5	105	127	152
B	26	28	35	38	50	58	75	90
C	12	16	19	25	25	32	38	45
D	13	14	17.5	19	25	29	38	45
E	9.5	13	15	21	21	27	33	39
F	17 ^{+0.027} ₀	20 ^{+0.033} ₀	25 ^{+0.033} ₀	28 ^{+0.033} ₀	34 ^{+0.039} ₀	40 ^{+0.039} ₀	49 ^{+0.039} ₀	60 ^{+0.046} ₀
G	13.9 ^{+0.15} ₀	16.7 ^{+0.15} ₀	20.6 ^{+0.15} ₀	23 ^{+0.15} ₀	28 ^{+0.15} ₀	32.9 ^{+0.20} ₀	41.8 ^{+0.20} ₀	51.2 ^{+0.20} ₀
H	22.5	24	28	34	40	47	53	65
J	10	12	12	17	19	22	27	32
K	11	13	13	17	22	25	31	38
L	32	36.5	42	50	56.5	65	75	90
M	7.5	10	11	15	13	16	22	27
N	M5×0.8	M6×1	M6×1	M8×1.25	M10×1.5	M12×1.75	M16×2	M20×2.5
P	28	33	38	42	47	52	56	65
Q	8	10	10	15	20	30	45	60
R	13	14	17.5	19	25	29	37.5	45
Chamfer	C1	C1	C1	C1	C3	C4	C10	C16

Notes

- Material : S45C
 - When you perform a phase determination, please additionally process after referring to a swing lever design size.
- ※1. Please refer to the swing lever design dimension for quick change lever type that is described below when -F type (quick change lever type) is used (P.385). Please make self preparation, when P type is chosen (balance lever type)(P.379).
- ※2. The design No. is 1 for LZ048 only.

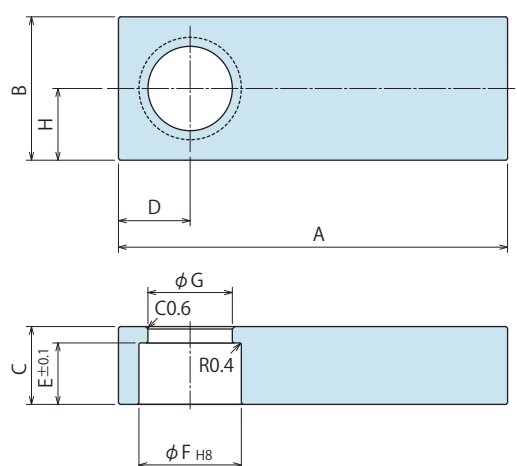
Accessories : Material Swing Lever for Taper Lock Option

Model No. Indication

LZ 040 0 - LE2

Size (Refer to the graph on the right)

Design No. (Revision Number)



Model No.	LZ0360 -LE2	LZ0400 -LE2	LZ0481 ^{※2} -LE2	LZ0550 -LE2	LZ0650 -LE2	LZ0750 -LE2	LZ0900 -LE2	LZ1050 -LE2
Corresponding Model No. ^{※1}	LT0360	LT0400	LT0480	LT0550	LT0650	LT0750	LG0900	LG1050
A	85	90	95	100	120	125	180	250
B	26	28	35	38	50	58	75	90
C	12	16	19	25	25	32	38	45
D	13	14	17.5	19	25	29	38	45
E	9.5	13	15	21	21	27	33	39
F	17 ^{+0.027} ₀	20 ^{+0.033} ₀	25 ^{+0.033} ₀	28 ^{+0.033} ₀	34 ^{+0.039} ₀	40 ^{+0.039} ₀	49 ^{+0.039} ₀	60 ^{+0.046} ₀
G	13.9 ^{+0.15} ₀	16.7 ^{+0.15} ₀	20.6 ^{+0.15} ₀	23 ^{+0.15} ₀	28 ^{+0.15} ₀	32.9 ^{+0.20} ₀	41.8 ^{+0.20} ₀	51.2 ^{+0.20} ₀
H	13	14	17.5	19	25	29	37.5	45

Notes

- Material : S45C
 - If necessary, the front end should be additionally processed.
 - When determining the phase, refer to the swing lever design dimensions for each model to do the additional machining.
- ※1. Please refer to the swing lever design dimension for quick change lever type that is described below when -F type (quick change lever type) is used (P.385). Please make self preparation, when P type is chosen (balance lever type) (P.379).
- ※2. The design No. is 1 for LZ048 only.

High-Power Series
Pneumatic Series
Hydraulic Series
Valve / Coupler Hydraulic Unit
Manual Operation Accessories
Cautions / Others
Hole Clamp
SFA
SFC
Swing Clamp
LHA
LHC
LHS
LHW
LT/LG
TLA-2
TLB-2
TLA-1
Link Clamp
LKA
LKC
LKW
LM/LJ
TMA-2
TMA-1
Work Support
LD
LC
TNC
TC
Air Sensing Lift Cylinder
LLW
Compact Cylinder
LL
LLR
LLU
DP
DR
DS
DT
Block Cylinder
DBA
DBC
Control Valve
BZL
BZT
BZX/JZG
Pallet Clamp
VS
VT
Expansion Locating Pin
VL
VM
VJ
VK
Pull Stud Clamp
FP
FQ
Customized Spring Cylinder
DWA/DWB