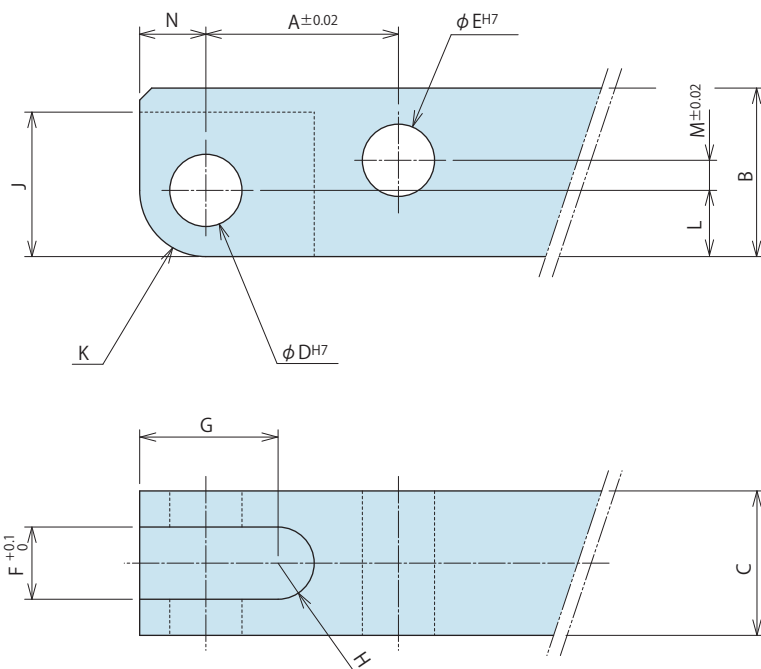


Link Lever Design Dimension

※ Reference for designing link lever.



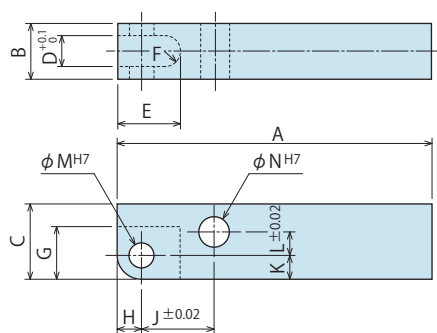
Calculation List of Link Lever Design Dimension

| Corresponding Model No. | LKA0360 | LKA0400 | LKA0480 | LKA0550 | LKA0650 | LKA0750 | LKA0900 | LKA1050 |
|-------------------------|------------------|------------------|------------------|------------------|-------------------|-------------------|-------------------|-------------------|
| A | 14.5 | 16 | 18.5 | 21 | 24.5 | 30 | 36 | 44 |
| B | 12.5 | 14 | 16 | 20 | 25 | 32 | 38 | 45 |
| C | $10_{-0.2}^0$ | $12_{-0.3}^0$ | $12_{-0.3}^0$ | $16_{-0.3}^0$ | $19_{-0.3}^0$ | $22_{-0.3}^0$ | $25_{-0.3}^0$ | $32_{-0.4}^0$ |
| D | $5_{0}^{+0.012}$ | $6_{0}^{+0.012}$ | $6_{0}^{+0.012}$ | $6_{0}^{+0.012}$ | $8_{0}^{+0.015}$ | $10_{0}^{+0.015}$ | $12_{0}^{+0.018}$ | $15_{0}^{+0.018}$ |
| E | $5_{0}^{+0.012}$ | $6_{0}^{+0.012}$ | $6_{0}^{+0.012}$ | $8_{0}^{+0.015}$ | $10_{0}^{+0.015}$ | $12_{0}^{+0.018}$ | $15_{0}^{+0.018}$ | $18_{0}^{+0.018}$ |
| F | 5 | 6 | 6 | 8 | 10 | 11 | 13 | 16 |
| G | 10 | 11.5 | 13 | 12.5 | 16 | 20 | 24 | 28 |
| H | R2.5 | R3 | R3 | R4 | R5 | R5.5 | R6.5 | R8 |
| J | 10 | 12 | 13 | 13 | 17.5 | 22 | 26 | 30.5 |
| K | R4.5 | R5.5 | R6 | R6 | R8 | R10 | R11 | R13 |
| L | 4.5 | 5.5 | 6 | 6 | 8 | 10 | 11 | 13 |
| M | 2.5 | 2.5 | 3.5 | 6 | 7.5 | 9.5 | 13 | 16 |
| N | 4.5 | 5.5 | 6 | 6 | 8 | 10 | 11 | 13 |

Notes

1. Design the link lever length according to the performance graph.
2. If the link lever is not in accordance with the dimension shown above, performance may be degraded and damage can occur.
3. Please use the attached pin (equivalent to $\phi ADf6$, $\phi AEF6$, HRC60) as the mounting pin for lever.
(Please refer to each external dimension of LKA for the dimensions ϕAD and ϕAE .)

● Accessory : Material Link Lever



Model No. Indication

LZK 048 0 - L

Size (Refer to following table)

Design No. (Revision Number)

(mm)

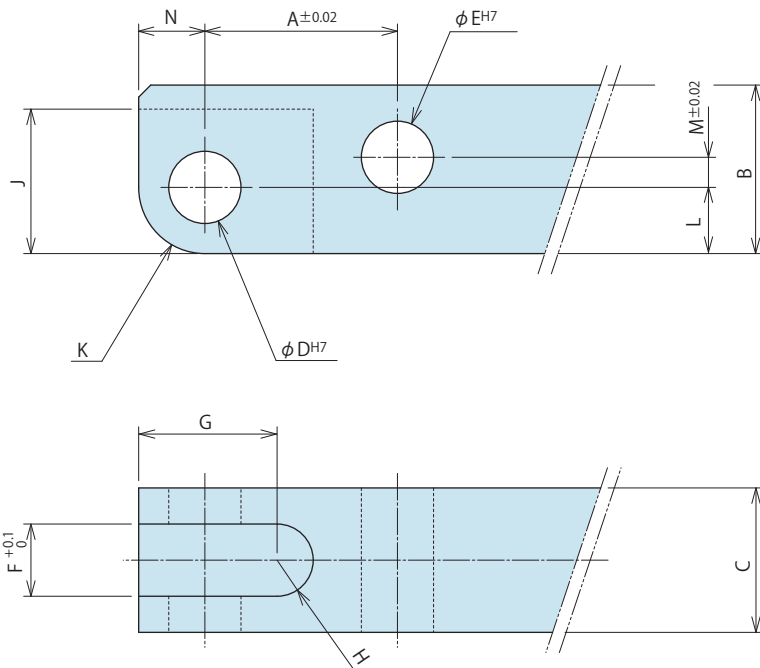
| Model No. | LZK0360-L | LZK0400-L | LZK0480-L | LZK0550-L | LZK0650-L | LZK0750-L | LZK0900-L | LZK1050-L |
|-------------------------|----------------------------------|----------------------------------|----------------------------------|----------------------------------|-----------------------------------|-----------------------------------|-----------------------------------|-----------------------------------|
| Corresponding Model No. | LKA0360 | LKA0400 | LKA0480 | LKA0550 | LKA0650 | LKA0750 | LKA0900 | LKA1050 |
| A | 65 | 75 | 85 | 90 | 105 | 110 | 160 | 220 |
| B | 10 ⁰ _{-0.2} | 12 ⁰ _{-0.3} | 12 ⁰ _{-0.3} | 16 ⁰ _{-0.3} | 19 ⁰ _{-0.3} | 22 ⁰ _{-0.3} | 25 ⁰ _{-0.3} | 32 ⁰ _{-0.4} |
| C | 12.5 | 14 | 16 | 20 | 25 | 32 | 38 | 45 |
| D | 5 | 6 | 6 | 8 | 10 | 11 | 13 | 16 |
| E | 12.5 | 14.5 | 16 | 16.5 | 21 | 25.5 | 30.5 | 36 |
| F | R2.5 | R3 | R3 | R4 | R5 | R5.5 | R6.5 | R8 |
| G | 10 | 12 | 13 | 13 | 17.5 | 22 | 26 | 30.5 |
| H | 4.5 | 5.5 | 6 | 6 | 8 | 10 | 11 | 13 |
| J | 14.5 | 16 | 18.5 | 21 | 24.5 | 30 | 36 | 44 |
| K | 4.5 | 5.5 | 6 | 6 | 8 | 10 | 11 | 13 |
| L | 2.5 | 2.5 | 3.5 | 6 | 7.5 | 9.5 | 13 | 16 |
| M | 5 ^{+0.012} ₀ | 6 ^{+0.012} ₀ | 6 ^{+0.012} ₀ | 6 ^{+0.012} ₀ | 8 ^{+0.015} ₀ | 10 ^{+0.015} ₀ | 12 ^{+0.018} ₀ | 15 ^{+0.018} ₀ |
| N | 5 ^{+0.012} ₀ | 6 ^{+0.012} ₀ | 6 ^{+0.012} ₀ | 8 ^{+0.015} ₀ | 10 ^{+0.015} ₀ | 12 ^{+0.018} ₀ | 15 ^{+0.018} ₀ | 18 ^{+0.018} ₀ |

- Notes
1. Material S45C
 2. If necessary, the front end should be additionally machined.
 3. Please use the attached pin (equivalent to ϕ ADf6、 ϕ AEf6、HRC60) as mounting pin for lever.

- High-Power Series
- Pneumatic Series
- Hydraulic Series**
- Valve / Coupler Hydraulic Unit
- Manual Operation Accessories
- Cautions / Others
- Hole Clamp
 - SFA
 - SFC
- Swing Clamp
 - LHA
 - LHC
 - LHS
 - LHW
 - LT/LG
 - TLA-2
 - TLB-2
 - TLA-1
- Link Clamp**
 - LKA**
 - LKC
 - LKW
 - LM/LJ
 - TMA-2
 - TMA-1
- Work Support
 - LD
 - LC
 - TNC
 - TC
- Air Sensing Lift Cylinder
 - LLW
- Compact Cylinder
 - LL
 - LLR
 - LLU
 - DP
 - DR
 - DS
 - DT
- Block Cylinder
 - DBA
 - DBC
- Control Valve
 - BZL
 - BZT
 - BZX/JZG
- Pallet Clamp
 - VS
 - VT
- Expansion Locating Pin
 - VL
 - VM
 - VJ
 - VK
- Pull Stud Clamp
 - FP
 - FQ
- Customized Spring Cylinder
 - DWA/DWB

Link Lever Design Dimension

※ Reference for designing link lever.



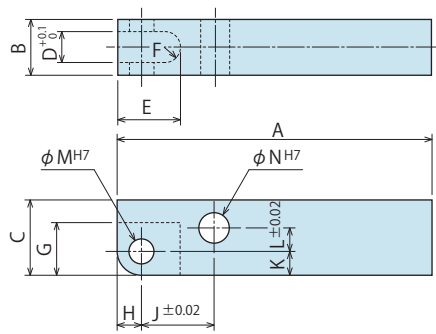
Link Lever Design Dimension List

| Corresponding Model No. | (mm) | | | |
|-------------------------|----------------------------------|----------------------------------|----------------------------------|-----------------------------------|
| | LKC0400 | LKC0480 | LKC0550 | LKC0650 |
| A | 16 | 18.5 | 21 | 24.5 |
| B | 14 | 16 | 20 | 25 |
| C | 12 ⁰ _{-0.3} | 12 ⁰ _{-0.3} | 16 ⁰ _{-0.3} | 19 ⁰ _{-0.3} |
| D | 6 ^{+0.012} ₀ | 6 ^{+0.012} ₀ | 6 ^{+0.012} ₀ | 8 ^{+0.015} ₀ |
| E | 6 ^{+0.012} ₀ | 6 ^{+0.012} ₀ | 8 ^{+0.015} ₀ | 10 ^{+0.015} ₀ |
| F | 6 | 6 | 8 | 10 |
| G | 11.5 | 13 | 12.5 | 16 |
| H | R3 | R3 | R4 | R5 |
| J | 12 | 13 | 13 | 17.5 |
| K | R5.5 | R6 | R6 | R8 |
| L | 5.5 | 6 | 6 | 8 |
| M | 2.5 | 3.5 | 6 | 7.5 |
| N | 5.5 | 6 | 6 | 8 |

Notes

1. Please design the link lever length according to the performance curve.
2. If the link lever is not in accordance with the dimension shown above, performance may be degraded and damage can occur.
3. Please use the attached pin (equivalent to φADf6, φAEf6, HRC60) as the mounting pin for lever.
(Please refer to each external dimension of LKC for the dimensions φAD and φAE.)

● Accessory : Material Link Lever



Model No. Indication

LZK 048 0 - L

Size (Refer to the table) Design No. (Revision Number)

(mm)

| Model No. | LZK0400-L | LZK0480-L | LZK0550-L | LZK0650-L |
|-------------------------|----------------------------------|----------------------------------|----------------------------------|-----------------------------------|
| Corresponding Model No. | LKC0400 | LKC0480 | LKC0550 | LKC0650 |
| A | 75 | 85 | 90 | 105 |
| B | 12 _{-0.3} ⁰ | 12 _{-0.3} ⁰ | 16 _{-0.3} ⁰ | 19 _{-0.3} ⁰ |
| C | 14 | 16 | 20 | 25 |
| D | 6 | 6 | 8 | 10 |
| E | 14.5 | 16 | 16.5 | 21 |
| F | R3 | R3 | R4 | R5 |
| G | 12 | 13 | 13 | 17.5 |
| H | 5.5 | 6 | 6 | 8 |
| J | 16 | 18.5 | 21 | 24.5 |
| K | 5.5 | 6 | 6 | 8 |
| L | 2.5 | 3.5 | 6 | 7.5 |
| M | 6 ₀ ^{+0.012} | 6 ₀ ^{+0.012} | 6 ₀ ^{+0.012} | 8 ₀ ^{+0.015} |
| N | 6 ₀ ^{+0.012} | 6 ₀ ^{+0.012} | 8 ₀ ^{+0.015} | 10 ₀ ^{+0.015} |

- Notes
1. Material S45C
 2. If necessary, the front end should be additionally machined.
 3. Please use the attached pin (equivalent to ϕ ADf6, ϕ AEF6, HRC60) as the mounting pin for lever.

High-Power
Series

Pneumatic Series

Hydraulic Series

Valve / Coupler
Hydraulic UnitManual Operation
Accessories

Cautions / Others

Hole Clamp

SFA
SFC

Swing Clamp

LHA
LHC
LHS
LHW
LT/LG
TLA-2
TLB-2
TLA-1

Link Clamp

LKA
LKC
LKW
LM/LJ
TMA-2
TMA-1

Work Support

LD
LC
TNC
TCAir Sensing
Lift Cylinder

LLW

Compact Cylinder

LL
LLR
LLU
DP
DR
DS
DT

Block Cylinder

DBA
DBC

Control Valve

BZL
BZT
BZX/JZG

Pallet Clamp

VS
VTExpansion
Locating PinVL
VM
VJ
VK

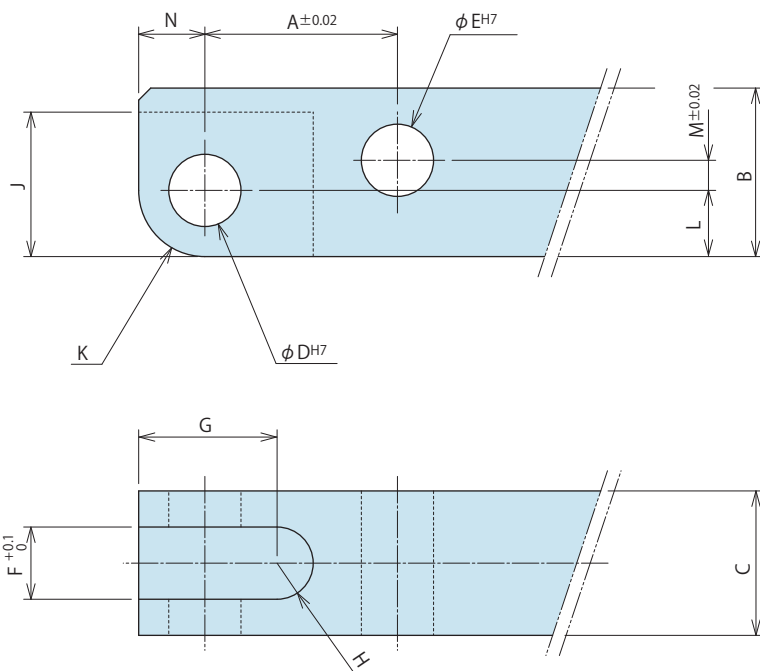
Pull Stud Clamp

FP
FQCustomized
Spring Cylinder

DWA/DWB

● Link Lever Design Dimensions

※ Please refer to this for designing the link lever.



● Link Lever Design Dimension List

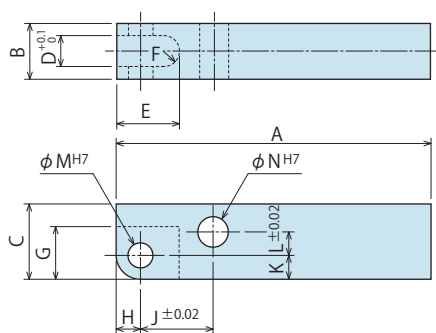
(mm)

| Corresponding Model No. | LKE0300 | LKE0360 | LKE0400 | LKE0480 | LKE0550 |
|-------------------------|----------------------------------|----------------------------------|----------------------------------|----------------------------------|----------------------------------|
| A | 12.5 | 14.5 | 16 | 18.5 | 21 |
| B | 11 | 12.5 | 15.5 | 18 | 21.5 |
| C | 9 ⁰ _{-0.1} | 10 ⁰ _{-0.2} | 12 ⁰ _{-0.3} | 12 ⁰ _{-0.3} | 16 ⁰ _{-0.3} |
| D | 4 ^{+0.012} ₀ | 5 ^{+0.012} ₀ | 6 ^{+0.012} ₀ | 6 ^{+0.012} ₀ | 7 ^{+0.015} ₀ |
| E | 4 ^{+0.012} ₀ | 5 ^{+0.012} ₀ | 6 ^{+0.012} ₀ | 7 ^{+0.015} ₀ | 8 ^{+0.015} ₀ |
| F | 4.5 | 5 | 6 | 6 | 8 |
| G | 8.5 | 10 | 11.5 | 13 | 13 |
| H | R2.25 | R2.5 | R3 | R3 | R4 |
| J | 8.5 | 10 | 12 | 13 | 13.5 |
| K | R4 | R4.5 | R5.5 | R6 | R6 |
| L | 4 | 4.5 | 5.5 | 6 | 6 |
| M | 2.5 | 2.5 | 2.5 | 3.5 | 6 |
| N | 4 | 4.5 | 5.5 | 6 | 6 |

Notes

1. Please design the link lever length according to the performance curve.
2. If the link lever is not in accordance with the dimension shown above, performance may be degraded and damage can occur.
3. Please use the attached pin (equivalent to φADf6, φAEf6, HRC60) as the mounting pin for lever.
(Please refer to each external dimension of LKE for the dimensions φAD and φAE.)

● Accessory : Material Link Lever



Model No. Indication

LZK 040 0 - L2

Size
(Refer to the table)

Design No.
(Revision Number)

(mm)

| Model No. | LZK0300-L2 | LZK0360-L2 | LZK0400-L2 | LZK0480-L2 | LZK0550-L2 |
|-------------------------|----------------------------------|----------------------------------|----------------------------------|----------------------------------|----------------------------------|
| Corresponding Model No. | LKE0300 | LKE0360 | LKE0400 | LKE0480 | LKE0550 |
| A | 50 | 65 | 75 | 85 | 90 |
| B | 9 ⁰ _{-0.1} | 10 ⁰ _{-0.2} | 12 ⁰ _{-0.3} | 12 ⁰ _{-0.3} | 16 ⁰ _{-0.3} |
| C | 11 | 12.5 | 15.5 | 18 | 21.5 |
| D | 4.5 | 5 | 6 | 6 | 8 |
| E | 8.5 | 12.5 | 14.5 | 16 | 17 |
| F | R2.25 | R2.5 | R3 | R3 | R4 |
| G | 8.5 | 10 | 12 | 13 | 13.5 |
| H | 4 | 4.5 | 5.5 | 6 | 6 |
| J | 12.5 | 14.5 | 16 | 18.5 | 21 |
| K | 4 | 4.5 | 5.5 | 6 | 6 |
| L | 2.5 | 2.5 | 2.5 | 3.5 | 6 |
| M | 4 ^{+0.012} ₀ | 5 ^{+0.012} ₀ | 6 ^{+0.012} ₀ | 6 ^{+0.012} ₀ | 7 ^{+0.015} ₀ |
| N | 4 ^{+0.012} ₀ | 5 ^{+0.012} ₀ | 6 ^{+0.012} ₀ | 7 ^{+0.015} ₀ | 8 ^{+0.015} ₀ |

Notes

1. Material S50CH
2. If necessary, the front end should be additionally machined.
3. Please use the attached pin (equivalent to ϕ ADf6, ϕ AEf6, HRC60) as the mounting pin for lever.

High-Power Series

Pneumatic Series

Hydraulic Series

Valve / Coupler Hydraulic Unit

Manual Operation Accessories

Cautions / Others

High-Power Hydraulic Swing Clamp

LHE

High-Power Hydraulic Link Clamp

LKE

High-Power Pneumatic Hole Clamp

SWE

High-Power Pneumatic Swing Clamp

WHE

High-Power Pneumatic Link Clamp

WCE

High-Power Pneumatic Work Support

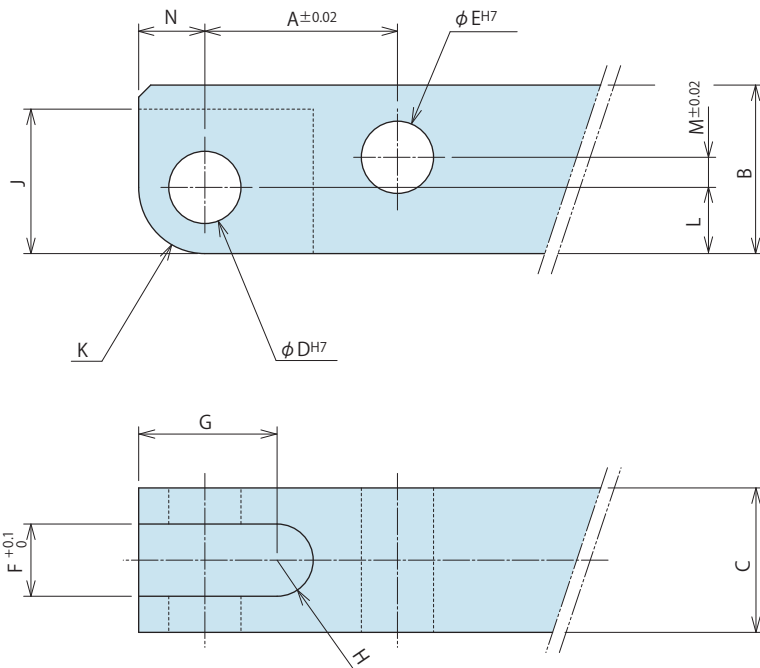
WNC

High-Power Pneumatic Pallet Clamp

WVS

Link Lever Design Dimension

※ Reference for designing link lever.



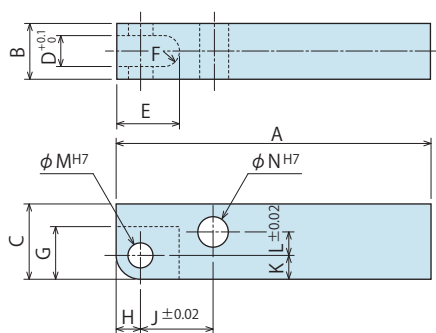
Link Lever Design Dimension List

| Corresponding Model No. | LKW0400 | LKW0480 | LKW0550 | LKW0650 |
|-------------------------|----------------------------------|----------------------------------|----------------------------------|-----------------------------------|
| A | 16 | 18.5 | 21 | 24.5 |
| B | 14 | 16 | 20 | 25 |
| C | 12 ⁰ _{-0.3} | 12 ⁰ _{-0.3} | 16 ⁰ _{-0.3} | 19 ⁰ _{-0.3} |
| D | 6 ^{+0.012} ₀ | 6 ^{+0.012} ₀ | 6 ^{+0.012} ₀ | 8 ^{+0.015} ₀ |
| E | 6 ^{+0.012} ₀ | 6 ^{+0.012} ₀ | 8 ^{+0.015} ₀ | 10 ^{+0.015} ₀ |
| F | 6 | 6 | 8 | 10 |
| G | 11.5 | 13 | 12.5 | 16 |
| H | R3 | R3 | R4 | R5 |
| J | 12 | 13 | 13 | 17.5 |
| K | R5.5 | R6 | R6 | R8 |
| L | 5.5 | 6 | 6 | 8 |
| M | 2.5 | 3.5 | 6 | 7.5 |
| N | 5.5 | 6 | 6 | 8 |

Notes

1. Please design the link lever length according to the performance curve.
2. If the link lever is not in accordance with the dimension shown above, performance may be degraded and damage can occur.
3. Please use the attached pin (equivalent to φADf6, φAEf6, HRC60) as the mounting pin for lever.
(Please refer to each external dimension of LKW for the dimensions φAD and φAE.)

Accessory : Material Link Lever



Model No. Indication

LZK 048 0 - L

Size (Refer to the table) Design No. (Revision Number)

(mm)

| Model No. | LZK0400-L | LZK0480-L | LZK0550-L | LZK0650-L |
|-------------------------|----------------------------------|----------------------------------|----------------------------------|-----------------------------------|
| Corresponding Model No. | LKW0400 | LKW0480 | LKW0550 | LKW0650 |
| A | 75 | 85 | 90 | 105 |
| B | 12 ⁰ _{-0.3} | 12 ⁰ _{-0.3} | 16 ⁰ _{-0.3} | 19 ⁰ _{-0.3} |
| C | 14 | 16 | 20 | 25 |
| D | 6 | 6 | 8 | 10 |
| E | 14.5 | 16 | 16.5 | 21 |
| F | R3 | R3 | R4 | R5 |
| G | 12 | 13 | 13 | 17.5 |
| H | 5.5 | 6 | 6 | 8 |
| J | 16 | 18.5 | 21 | 24.5 |
| K | 5.5 | 6 | 6 | 8 |
| L | 2.5 | 3.5 | 6 | 7.5 |
| M | 6 ^{+0.012} ₀ | 6 ^{+0.012} ₀ | 6 ^{+0.012} ₀ | 8 ^{+0.015} ₀ |
| N | 6 ^{+0.012} ₀ | 6 ^{+0.012} ₀ | 8 ^{+0.015} ₀ | 10 ^{+0.015} ₀ |

Notes 1. Material S45C

- If necessary, the front end should be additionally machined.
- Please use the attached pin (equivalent to ϕ ADf6, ϕ AEF6, HRC60) as the mounting pin for lever.



WAHLTEC GmbH
Ravensburger Str. 14
88361 Altshausen
T: +49 (7584) 9238883
F: +49 (7584) 9238887

www.wahltec.de

High-Power
Series

Pneumatic Series

Hydraulic Series

Valve / Coupler
Hydraulic UnitManual Operation
Accessories

Cautions / Others

Hole Clamp

SFA
SFC

Swing Clamp

LHA
LHC
LHS
LHW
LT/LG
TLA-2
TLB-2
TLA-1

Link Clamp

LKA
LKC
LKW
LM/LJ
TMA-2
TMA-1

Work Support

LD
LC
TNC
TCAir Sensing
Lift Cylinder

LLW

Compact Cylinder

LL
LLR
LLU
DP
DR
DS
DT

Block Cylinder

DBA
DBC

Control Valve

BZL
BZT
BZX/JZG

Pallet Clamp

VS
VTExpansion
Locating PinVL
VM
VJ
VK

Pull Stud Clamp

FP
FQCustomized
Spring Cylinder

DWA/DWB