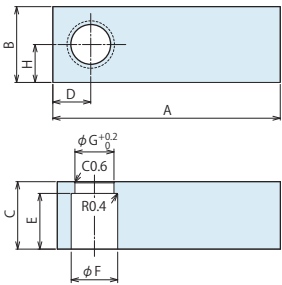


Accessories : Material Swing Lever for Taper Lock Option

Model No. Indication
LZH 048 0 - T
Size (Refer to the table.) Design No. (Revision Number)

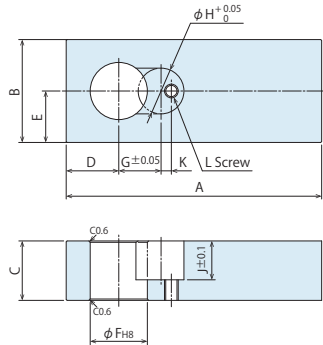


Model No.	LZH0360	LZH0400	LZH0480	LZH0550	LZH0650	LZH0750	LZH0900	LZH1050
Corresponding Model No. ⁽¹⁾	LHA0360	LHA0400	LHA0480	LHA0550	LHA0650	LHA0750	LHA0900	LHA1050
A	120	145	160	170	175	185	220	270
B	26	32	40	45	50	58	75	90
C	17	19	23	26	29	35	43	50
D	13	16	20	23	25	29	38	45
E	14	16	19	22	25	31	38	44
F	17	20	25	28	34	40	49	60
G	15	17	21	23.5	29	33	42	51
H	13	16	20	22.5	25	29	37.5	45

- Notes:
1. Material : S50CH
 2. If necessary, the front end should be additionally machined.
 3. When determining the phase, refer to taper lock lever design dimensions for each model for the additional machining.
- ※1. Refer to Accessory of Quick Change Lever Type A for -A (Quick Change Lever Type A). Refer to Accessory of Quick Change Lever Type F for -F (Quick Change Lever Type F). For -P (Balance Lever Option), it should be designed by customer.

Accessories : Material Swing Lever for Quick Change Lever Type A

Model No. Indication
LZH 048 0 - A
Size (Refer to the table.) Design No. (Revision Number)

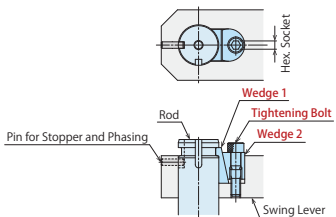


Model No.	LZH0360	LZH0400	LZH0480	LZH0550	LZH0650	LZH0750	LZH0900	LZH1050
Corresponding Model No.	LHA0360	LHA0400	LHA0480	LHA0550	LHA0650	LHA0750	LHA0900	LHA1050
A	120	145	160	170	175	185	220	270
B	26	32	40	45	50	58	75	90
C	17	19	23	26	29	35	43	50
D	13	16	20	23	25	29	38	45
E	13	16	20	22.5	25	29	37.5	45
F	15 ^{+0.027}	18 ^{+0.027}	22 ^{+0.033}	25 ^{+0.033}	30 ^{+0.033}	35.5 ^{+0.039}	45 ^{+0.039}	55 ^{+0.046}
G	12.5	15	16.5	18.5	20.5	25	31	33.5
H	12	15	18	20	24	28	36	46
J	11	13	15.5	17	19	21	28	33
K	2	2.5	4	4.5	6.5	6.5	9	14
L	M4×0.7	M5×0.8	M5×0.8	M6×1	M6×1	M8×1.25	M10×1.5	M10×1.5

- Notes:
1. Material : S50CH
 2. If necessary, the front end should be additionally machined.
 3. The pin hole for stopper and lever phasing should be additionally machined by referring to Quick Change Lever Type A Design Dimensions.
 4. Tightening Kit (LZH□-W) for Quick Change Lever Type A is sold separately.

Accessories : Tightening Kit for Quick Change Lever Type A

Model No. Indication
LZH 048 0 - W
Size (Refer to the table.) Design No. (Revision Number)



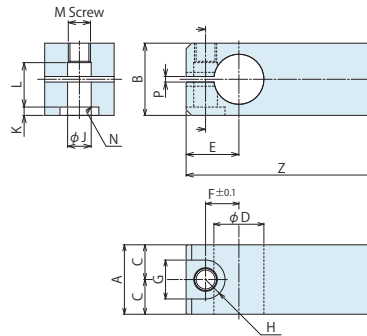
Tightening Kit for mounting Quick Change Lever Type A.
Sold separately from clamp body.

[Contents of Tightening Kit]
• Wedge 1 • Wedge 2 • Tightening Bolt

Model No.	LZH0360	LZH0400	LZH0480	LZH0550	LZH0650	LZH0750	LZH0900	LZH1050
Corresponding Model No.	LHA0360	LHA0400	LHA0480	LHA0550	LHA0650	LHA0750	LHA0900	LHA1050
Nominal×Pitch of Tightening Bolt	M4×0.7	M5×0.8	M5×0.8	M6×1	M6×1	M8×1.25	M10×1.5	M10×1.5
Hex. Socket mm	3	4	4	5	5	6	8	8
Tightening Torque N·m	2.5	5.0	5.0	8.0	8.0	20	40	45

Accessories : Material Swing Lever for Quick Change Lever Type F

Model No. Indication
LZH 048 0 - F
Size (Refer to the table.) Design No. (Revision Number)

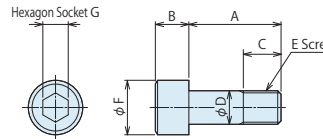


Model No.	LZH0360	LZH0400	LZH0480	LZH0550	LZH0650	LZH0750	LZH0900	LZH1050
Corresponding Model No.	LHA0360	LHA0400	LHA0480	LHA0550	LHA0650	LHA0750	LHA0900	LHA1050
A	22	25	30	34	40	46	55	60
B	22	26	32	36	45	53	70	82
C	11	12.5	15	17	20	23	27.5	30
D	15 ^{-0.016}	18 ^{-0.016}	22 ^{-0.020}	25 ^{-0.020}	30 ^{-0.020}	35.5 ^{-0.025}	45 ^{-0.025}	55 ^{-0.030}
E	15	19	23	26.5	31.5	36.5	46	55
F	9.75	12	14.75	17	20	23.5	29.75	36
G	11	14	17.5	20	23	26	32	39
H	R5.5	R7	R8.75	R10	R11.5	R13	R16	R19.5
J	6.5	8.5	10.5	12.5	14.5	16.5	21	25
K	2	3	4	5	7	9	11	
L	13.5	16	18	22	26.5	31	42	46
M	M6×1	M8×1	M10×1.25	M12×1.5	M14×1.5	M16×1.5	M20×2	M24×2
N	C0.4	C0.6	C0.6	C1	C1	C1	C1	C1
P	2	2	2	2	2	2	2	2
Z	120	145	160	170	175	185	220	270

- Notes:
1. Material : S50CH
 2. If necessary, the front end should be additionally machined.
 3. When determining the phase, refer to quick change lever design dimensions for each model for the additional machining.
 4. Tightening Bolt (LZH□-B) for Quick Change Lever is sold separately.

Accessories : Tightening Bolts for Quick Change Lever Type F

Model No. Indication
LZH 048 0 - B
Size (Refer to the table.) Design No. (Revision Number)



Model No.	LZH0360	LZH0400	LZH0480	LZH0550	LZH0650	LZH0750	LZH0900	LZH1050
Corresponding Model No.	LHA0360	LHA0400	LHA0480	LHA0550	LHA0650	LHA0750	LHA0900	LHA1050
A	20	23	28	32	40	46	61	71
B	6	8	10	12	14	16	20	24
C	7	10	11	13	16	18	23	27
D	6	8	10	12	14	16	20	24
E	M6×1	M8×1	M10×1.25	M12×1.5	M14×1.5	M16×1.5	M20×2	M24×2
F	10	13	16	18	21	24	30	36
G	5	6	8	10	12	14	17	19



WAHLTEC GmbH
Ravensburger Str. 14
88361 Altshausen
T: +49 (7584) 9238883
F: +49 (7584) 9238887

www.wahltec.de

High-Power Series
Pneumatic Series
Hydraulic Series
Valve / Coupler Hydraulic Unit
Manual Operation Accessories
Cautions / Others
Hole Clamp
SFA
SFC
Swing Clamp
LHA
LHC
LHS
LHW
LT/LG
TLA-2
TLB-2
TLA-1
Link Clamp
LKA
LKC
LKW
LM/LJ
TMA-2
TMA-1
Work Support
LD
LC
TNC
TC
Air Sensing Lift Cylinder
LLW
Compact Cylinder
LL
LLR
LLU
DP
DR
D5
DT
Block Cylinder
DBA
DBC
Centering Vise
FVA
FVD
FVC
Control Valve
BZL
BZT
BZX/JZG
Pallet Clamp
VS
VT
Expansion Locating Pin
VFL
VFM
VFJ
VFK
Pull Stud Clamp
FP
FQ
Customized Spring Cylinder
DWA/DWB